

en	Original Instructions - Orbital sander	3
fr	Notice d'utilisation d'origine - Ponceuse vibrante	13
es	Manual de instrucciones original - Lijadora orbital	24



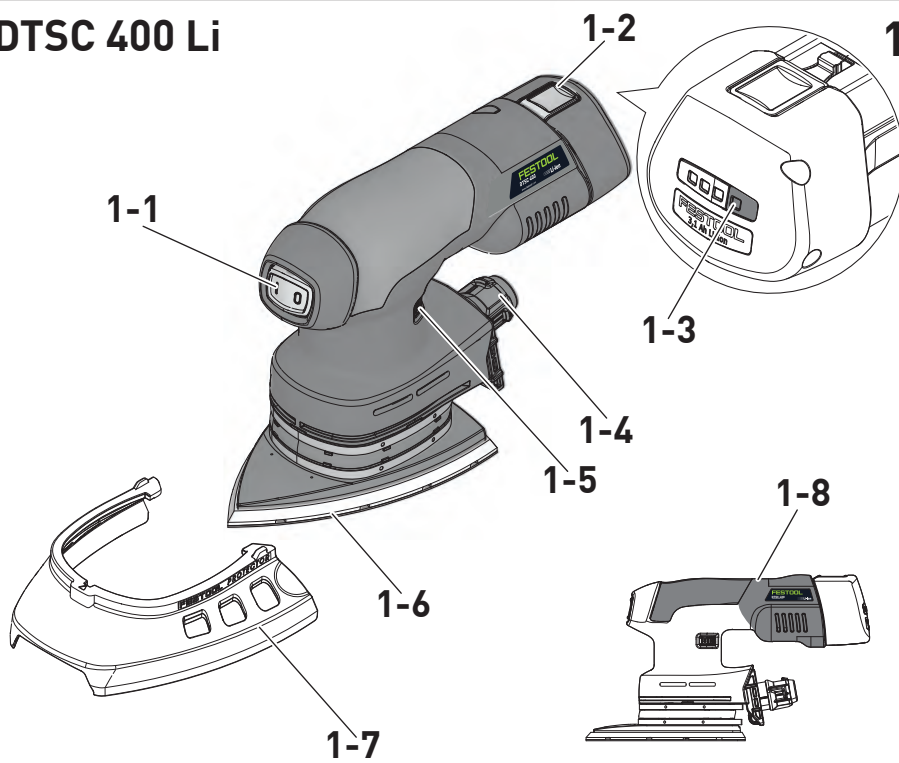
Read all instructions before using
Lire toutes les instructions avant de démarrer les travaux.
Lea y comprende todas las instrucciones antes de usar.



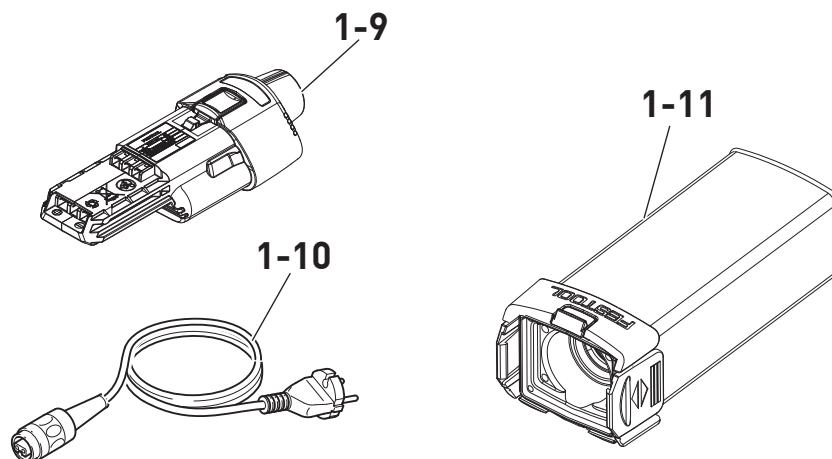
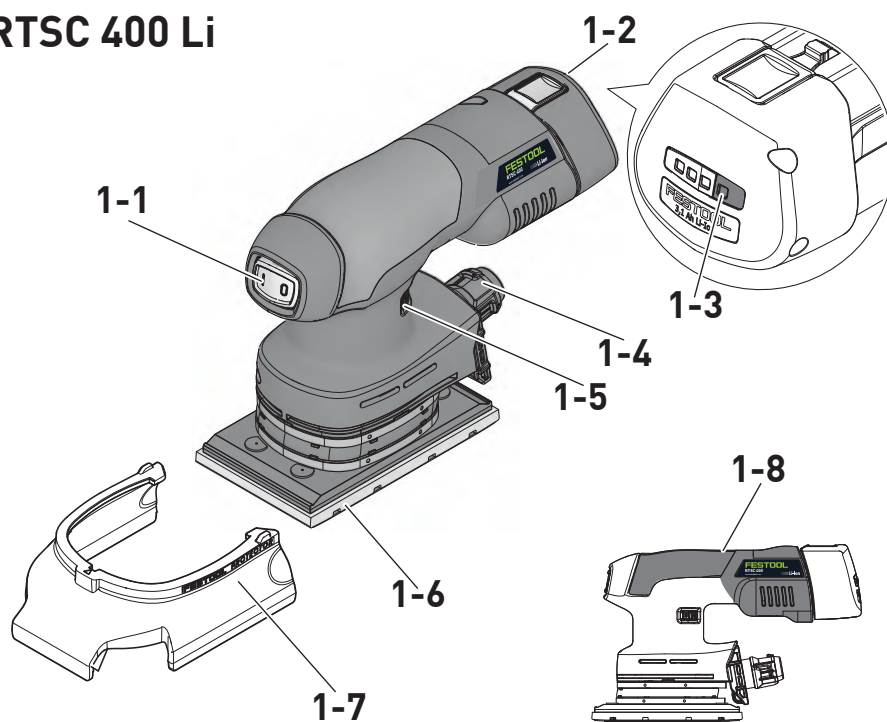
RTSC 400 Li
DTSC 400 Li



DTSC 400 Li



RTSC 400 Li








Contents

1	About this manual.....	3
2	Symbols.....	3
3	Safety warnings.....	3
4	Intended use.....	6
5	Technical data.....	6
6	Functional description.....	7
7	Battery pack.....	7
8	Commissioning.....	7
9	Settings.....	8
10	Working with the machine.....	10
11	Service and maintenance.....	10
12	Accessories.....	11
13	Environment.....	12






1 About this manual

Save these instructions

It is important for you to read and understand this manual. The information it contains relates to protecting **your safety** and **preventing problems**. The symbols below are used to help you recognize this information.

	DANGER	Description of imminent hazard and failure to avoid hazard will result in death.
	WARNING	Description of hazard and possible resulting injuries or death.
	CAUTION	Description of hazard and possible resulting injuries.
	NOTICE	Statement including nature of hazard and possible result.
	HINT	Indicates information, notes, or tips for improving your success using the tool.

2 Symbols

	Warning of general danger
	Warning of electric shock
	Read the operating instructions and safety instructions.
	Wear protective goggles.
	Wear ear protection.



Wear a dust mask.



Connecting the mains power cable



Disconnecting the mains power cable



Safety class II



Tip or advice



Handling instruction



Alternating current



Degree Celsius



Inch



Kilogram



Millimetre



Newton metre



No load speed



Pound



Revolutions per minute



Volt

3 Safety warnings

3.1 General power tool safety warnings



WARNING! Read all safety warnings, instructions, illustrations and specifications provided with this power tool. Failure to follow all instructions listed below may result in electric shock, fire and/or serious injury.

Save all warnings and instructions for future reference.

The term "power tool" in the warnings refers to your mains-operated (corded) power tool or battery-operated (cordless) power tool.

1 WORK AREA SAFETY

- Keep work area clean and well lit.** Cluttered or dark areas invite accidents.
- Do not operate power tools in explosive atmospheres, such as in the presence of flammable liquids, gases or dust.** Power tools create sparks which may ignite the dust or fumes.
- Keep children and bystanders away while operating a power tool.** Distractions can cause you to lose control.

2 ELECTRICAL SAFETY

- a. **Power tool plugs must match the outlet. Never modify the plug in any way. Do not use any adapter plugs with earthed (grounded) power tools.** Unmodified plugs and matching outlets will reduce risk of electric shock.
- b. **Avoid body contact with earthed or grounded surfaces, such as pipes, radiators, ranges and refrigerators.** There is an increased risk of electric shock if your body is earthed or grounded.
- c. **Do not expose power tools to rain or wet conditions.** Water entering a power tool will increase the risk of electric shock.
- d. **Do not abuse the cord. Never use the cord for carrying, pulling or unplugging the power tool. Keep cord away from heat, oil, sharp edges or moving parts.** Damaged or entangled cords increase the risk of electric shock.
- e. **When operating a power tool outdoors, use an extension cord suitable for outdoor use.** Use of a cord suitable for outdoor use reduces the risk of electric shock.
- f. **If operating a power tool in a damp location is unavoidable, use a residual current device (RCD) protected supply.** Use of an RCD reduces the risk of electric shock.

3 PERSONAL SAFETY

- a. **Stay alert, watch what you are doing and use common sense when operating a power tool. Do not use a power tool while you are tired or under the influence of drugs, alcohol or medication.** A moment of inattention while operating power tools may result in serious personal injury.
- b. **Use personal protective equipment. Always wear eye protection.** Protective equipment such as a dust mask, non-skid safety shoes, hard hat or hearing protection used for appropriate conditions will reduce personal injuries.
- c. **Prevent unintentional starting. Ensure the switch is in the off-position before connecting to power source and/or battery pack, picking up or carrying the tool.** Carrying power tools with your finger on the switch or energising power tools that have the switch on invites accidents.
- d. **Remove any adjusting key or wrench before turning the power tool on.** A wrench or a key left attached to a rotating part of

the power tool may result in personal injury.

- e. **Do not overreach. Keep proper footing and balance at all times.** This enables better control of the power tool in unexpected situations.
- f. **Dress properly. Do not wear loose clothing or jewellery. Keep your hair and clothing away from moving parts.** Loose clothes, jewellery or long hair can be caught in moving parts.
- g. **If devices are provided for the connection of dust extraction and collection facilities, ensure these are connected and properly used.** Use of dust collection can reduce dust-related hazards.
- h. **Do not let familiarity gained from frequent use of tools allow you to become complacent and ignore tool safety principles.** A careless action can cause severe injury within a fraction of a second.

4 POWER TOOL USE AND CARE

- a. **Do not force the power tool. Use the correct power tool for your application.** The correct power tool will do the job better and safer at the rate for which it was designed.
- b. **Do not use the power tool if the switch does not turn it on and off.** Any power tool that cannot be controlled with the switch is dangerous and must be repaired.
- c. **Disconnect the plug from the power source and/or remove the battery pack, if detachable, from the power tool before making any adjustments, changing accessories, or storing power tools.** Such preventive safety measures reduce the risk of starting the power tool accidentally.
- d. **Store idle power tools out of the reach of children and do not allow persons unfamiliar with the power tool or these instructions to operate the power tool.** Power tools are dangerous in the hands of untrained users.
- e. **Maintain power tools and accessories. Check for misalignment or binding of moving parts, breakage of parts and any other condition that may affect the power tool's operation. If damaged, have the power tool repaired before use.** Many accidents are caused by poorly maintained power tools.
- f. **Keep cutting tools sharp and clean.** Properly maintained cutting tools with sharp

cutting edges are less likely to bind and are easier to control.

- g. **Use the power tool, accessories and tool bits etc. in accordance with these instructions, taking into account the working conditions and the work to be performed.** Use of the power tool for operations different from those intended could result in a hazardous situation.
- h. **Keep handles and grasping surfaces dry, clean and free from oil and grease.** Slippery handles and grasping surfaces do not allow for safe handling and control of the tool in unexpected situations.

5 BATTERY TOOL USE AND CARE

- a. **Recharge only with the charger specified by the manufacturer.** A charger that is suitable for one type of battery pack may create a risk of fire when used with another battery pack.
- b. **Use power tools only with specifically designated battery packs.** Use of any other battery packs may create a risk of injury and fire.
- c. **When battery pack is not in use, keep it away from other metal objects, like paper clips, coins, keys, nails, screws or other small metal objects, that can make a connection from one terminal to another.** Shorting the battery terminals together may cause burns or a fire.
- d. **Under abusive conditions, liquid may be ejected from the battery; avoid contact. If contact accidentally occurs, flush with water. If liquid contacts eyes, additionally seek medical help.** Liquid ejected from the battery may cause irritation or burns.
- e. **Do not use a battery pack or tool that is damaged or modified.** Damaged or modified batteries may exhibit unpredictable behaviour resulting in fire, explosion or risk of injury.
- f. **Do not expose a battery pack or tool to fire or excessive temperature.** Exposure to fire or temperature above 130 °C (265 °F) may cause explosion.
- g. **Follow all charging instructions and do not charge the battery pack or tool outside the temperature range specified in the instructions.** Charging improperly or at temperatures outside the specified range may damage the battery and increase the risk of fire.

6 SERVICE

- a. **Have your power tool serviced by a qualified repair person using only identical replacement parts.** This will ensure that the safety of the power tool is maintained.
- b. **Never service damaged battery packs.** Service of battery packs should only be performed by the manufacturer or authorized service providers.
- c. **Only use original Festool parts for repair and maintenance.** The use of incompatible accessories or spare parts can result in electric shocks or other injuries.

Follow the operating manual for the charger and the battery pack.

3.2 Machine-specific safety notices

Machine-related safety instructions

- **Dust that is harmful to your health may be produced as you work (e.g. paint products containing lead and some types of wood).** A contact with or inhalation of this dust may pose a risk for the operating personnel or persons in the vicinity. Observe the safety regulations that apply in your country.



- Wear a P2 respiratory mask to protect your health. In enclosed spaces, ensure that there is sufficient ventilation and connect an extraction system.



- Always wear protective goggles to protect against sanding hazards.
- **Clean work equipment soaked in oils, for example sanding pad or polishing felt, with water and allow to dry.** Work equipment soaked in oil may combust spontaneously.
- **Attention: Risk of fire! Avoid overheating the grinding material and the sander. Always empty the dust container before taking a break.** Swarf in the filter bag or filter of the mobile dust extractor may self-ignite in unfavourable conditions such as flying sparks when grinding metals. Particular danger exists if the swarf is mixed with paint, polyurethane residue or other chemical materials and the grinding material is hot after long periods of work.
- **If the power tool is dropped or falls, check for damage to the machine and sanding pad. Remove the sanding pad for closer inspection. Have the damaged parts repaired before use.** Broken sanding pads and damaged machines can cause injuries and machine instability.

- **Always use original Festool sanding pads.**
- **While using the long-life dust bag be aware of electric charge. Always when possible use an antistatic suction hose with the power tool.** A slight electric shock may cause you to panic briefly and become distracted, which may result in an accident.
- Only use the mains adapter with this device.
- Only use the mains adapter together with an original Festool plug it cable.

Battery pack and charger safety instructions

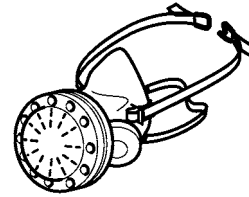
- This charger can be operated by persons with reduced physical, sensory or mental capabilities or a lack of practical experience and knowledge, provided they are supervised or have been instructed to use the machine safely and understand the dangers of machine operation. **Children** are not allowed use or play with the machine.
- Do not open the battery pack or the charger!
- Prevent metal parts (e.g. metal chips) or fluids from entering the charger!
- **Do not use power adapters or battery packs from other manufacturers to operate the cordless power tool. Do not use any charger from other manufacturers for charging the battery pack.** The use of impermissible accessories may result in electric shock and / or serious accidents!
- Protect the battery pack from excessive heat > 50 °C or constant heat sources such as sunlight or naked flames!
- Never use water to extinguish burning li-ion battery packs! Use sand or a fire blanket.
- Check the plug and the cable regularly and should either become damaged, in order to avoid a hazard, have them replaced by an authorised after-sales service workshop.
- Always pull the mains plug out of the socket when the charger is not in use.

3.3 Health hazard by dust



WARNING! various dust created by power sanding, sawing, grinding, drilling and other construction activities contains chemicals known (to the State of California) to cause cancer, birth defects or other reproductive harm. Some examples of these chemicals are:

- lead from lead-based paints,
- crystalline silica from bricks and cement and other masonry products, and
- arsenic and chromium from chemically treated lumber.



The risk from these exposures varies, depending on how often you do this type of work. To reduce your exposure to these chemicals: work in a well ventilated

area, and work with approved safety equipment, such as dust masks that are specially designed to filter out microscopic particles. Wash hands after handling.



WARNING

TO REDUCE THE RISK OF INJURY, USER MUST READ INSTRUCTION MANUAL.

4 Intended use

The sanders are designed for sanding wood, plastic, composites, paint/varnish, filler and similar materials as directed. Metals and materials that contain asbestos must not be processed.

To guarantee electrical safety, the machine must not be damp or operated in a damp environment. The machine must only be used for dry sanding.



The user is liable for improper or non-intended use.

5 Technical data

Cordless orbital sander	DTSC 400 Li	RTSC 400 Li
Voltage	18 - 20 V	18 - 20 V
No-load speed	6000 - 10000 min ⁻¹	6000 - 10000 min ⁻¹
Sanding stroke	5/64" (2.0 mm)	5/64" (2.0 mm)

Cordless orbital sander	DTSC 400 Li	RTSC 400 Li
Sanding pad	4" x 6" (100 x 150 mm)	3-5/32" x 5-1/4" (80 x 130 mm)
Weight (excl. battery pack, incl. sanding pad)	2 lb. (1.0 kg)	2 lb. (1.0 kg)

6 Functional description

- [1-1] On/Off switch
- [1-2] Battery pack
- [1-3] Capacity display
- [1-4] Extractor connector
- [1-5] Speed control
- [1-6] Sanding pad
- [1-7] Edge protector
- [1-8] Handle (insulated gripping surface)
- [1-9] Mains adapter with plug it connection*
- [1-10] plug it cable*
- [1-11] Long-life dust bag

* not on all versions included in the scope of delivery


The pictures for the functional description are at the beginning of the instruction manual.

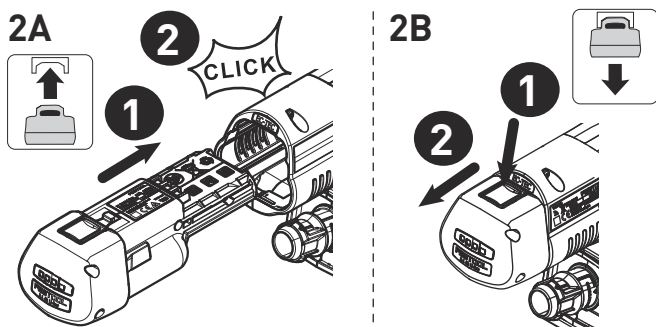
7 Battery pack

Before using the battery pack, check that the battery interface is clean. Any contamination of the battery interface may impair correct contact and lead to the contacts being damaged.

A faulty contact may result in the machine overheating or being damaged.

- [2B] Remove the battery pack.

- [2A]  Insert the battery pack – until it clicks.



- ⓘ Further information about the charger and battery pack with capacity indicator can be found in the corresponding operating manual.

8 Commissioning

8.1 Mains adapter



WARNING

Unauthorised voltage or frequency!

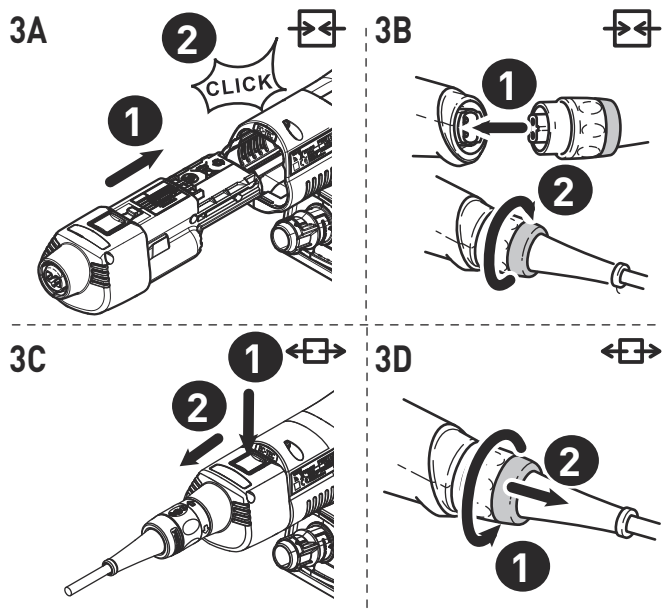
Risk of accident

- ▶ The mains voltage and the frequency of the power source must correspond with the specifications on the machine's name plate.
- ▶ In North America, only Festool machines with the voltage specifications 120 V/60 Hz may be used.

The mains adapter (available as an accessory depending on the model) facilitates use of the cordless sanding technology with mains power, enabling you to switch between power supply sources. The mains adapter enables the mobile dust extractor's automatic electronic switch-on/shut-off function.

- ⓘ For older mobile dust extractors, the automatic electronic switch-on/shut-off may only be activated under load and not yet under no-load speed due to low power consumption.

- ▶ Insert the mains adapter [3A]
- ▶ Connect the mains adapter and plug it cable [3B]
- ▶ Remove the mains adapter [3C]
- ▶ Detach the mains adapter from the plug it cable [3D]



8.2 Switch on/off

The switch [1-1] is an on/off switch (I = ON, 0 = OFF).

- i** When the battery pack is empty, or if there is a power failure or the mains plug is removed, move the on/off switch immediately to the Off position. This prevents uncontrolled restarting.

9 Settings



WARNING

Risk of injury

- Remove the battery pack from the power tool before performing any work on the power tool.

9.1 Electronics

Smooth start-up

The electronically controlled smooth start-up ensures that the machine starts up jolt-free.

Temperature cut-out

To avoid the motor overheating, the power consumption is limited at an excessive motor temperature. If the temperature continues to rise, the power tool switches off and can only be switched on again once the motor has cooled sufficiently.

Constant speed

The preselected motor speed is kept constant through electronic control. This means that, if the machine is used as intended (reasonable contact pressure), a constant sanding speed is achieved.

Setting and adjusting the speed

The speed can be set [1-5] between 6000 and 10000 min⁻¹ using the adjusting wheel.

For sanding, we recommend the following settings for the adjusting wheel [1-5]:

Sanding work	Adjusting wheel setting
<ul style="list-style-type: none"> Sanding with max. abrasion Sanding off old paint Sanding of wood and veneered surface prior to paintwork Intermediate sanding of paintwork on surfaces 	5 - 6
<ul style="list-style-type: none"> Sanding thinly applied undercoat Sanding wood with sanding cloth Edge breaking on wooden parts Smoothing primed wooden surfaces 	4 - 5
<ul style="list-style-type: none"> Sanding solid wood and veneered edges Sanding rebate of windows and doors Intermediate sanding of paintwork at edges Light sanding of natural wood windows using sanding cloth Smoothing wooden surfaces using sanding cloth before staining Rubbing or removing excess limestone residue using sanding cloth 	3 - 4
<ul style="list-style-type: none"> Intermediate sanding of paintwork on stained surfaces Cleaning natural wood window rebate using sanding cloth 	2 - 3
<ul style="list-style-type: none"> Sanding stained edges Sanding of thermoplastics 	1 - 2

9.2 Changing sanding pad [4A]

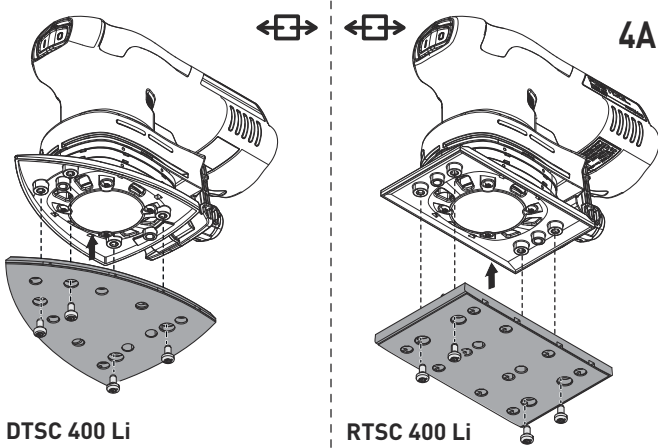


An optimal work result can only be achieved using original accessories and consumables. The use of non-original accessories or consumables invalidates the right to claim under warranty.

If the StickFix coating on the sanding pad has worn out, the entire sanding pad can be replaced:

- Undo the four screws.
- Remove the sanding pad by pulling it downwards.
- Attach the new sanding pad.

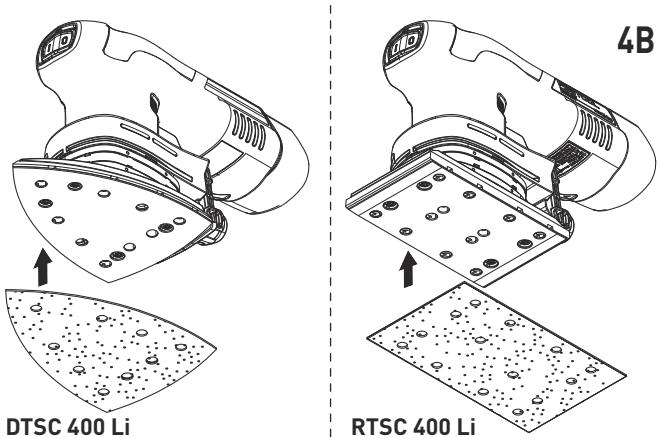
- ④ Use four screws to tighten it by hand (2.5 Nm).



9.3 Attaching sanding accessories using StickFix [4B]

The suitable StickFix sandpaper and StickFix sanding cloth can be attached quickly and simply to the StickFix sanding pad.

- ▶ Affix the self-adhesive sanding accessory to the sanding pad.



9.4 Dust extraction



WARNING

Dust hazard

- ▶ Dust can be hazardous to health. Always work with a dust extractor.
- ▶ Always read applicable national regulations before extracting hazardous dust.

Integral dust extractor with long-life dust bag

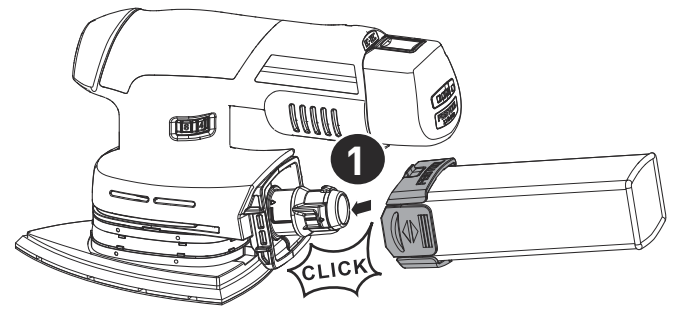
As standard, the sanders are equipped with an integral dust extractor. The sanding dust is extracted through extraction openings in the sanding pad and is collected in the dust bag.

Installing the dust bag [5]

- ① Slide the dust bag onto the machine until it clicks into place.

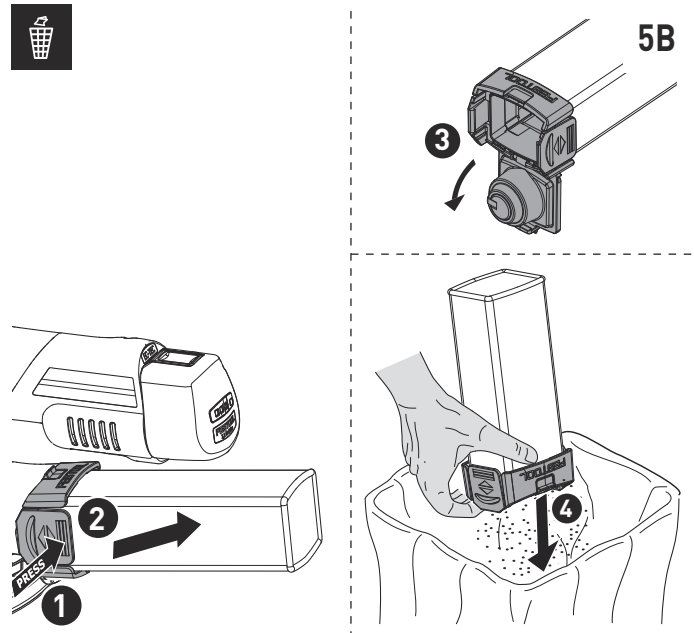


5A



If the suction power is decreasing, empty the dust bag.

- ① Press the dust bag onto the actuating elements.
- ② Remove the dust bag by moving it towards the rear.
- ③ Open the flap on the dust bag.
- ④ Empty the dust bag and dispose of the waste.



Dust extraction with Festool's mobile dust extractor

To prevent having to frequently empty the dust bag when carrying out sanding work for a long period of time, you can connect Festool's mobile dust extractor (with an extraction hose diameter of 27 mm) to the extractor connection piece [1-4].

- ⓘ The start-up mode switches the mobile dust extractor on as soon as you switch the orbital sander on. The start-up mode only works in conjunction with the mains adapter.

- ⓘ If the power tool is used in cordless operation with a mobile dust extractor, the battery life decreases. Reducing the suction power minimises this effect.
- ⓘ High suction power can impair control of the power tool. Reducing the suction power minimises this effect.

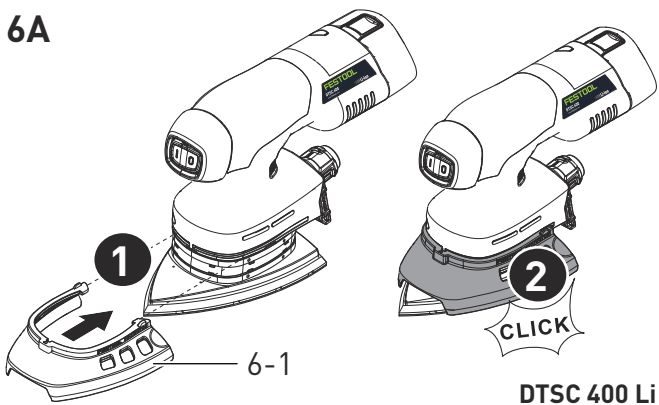
Recommendation: Use an antistatic suction hose. This helps reduce the electric charge.

9.5 Edge protector [6]

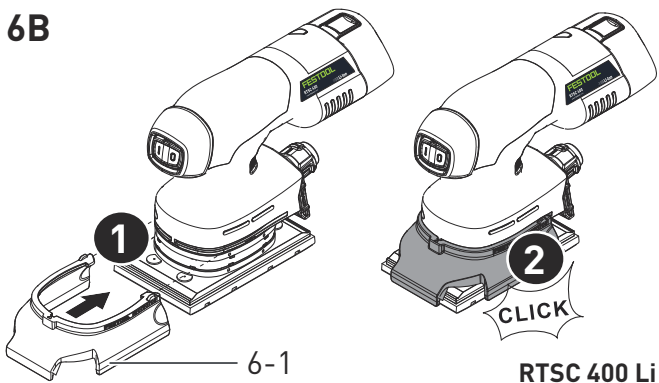
The edge protector [6-1] prevents the sanding pad circumference from coming into contact with a surface (e.g. when sanding along a wall or a window), thus preventing back-kick of the machine, or machine damage.

- ➊ Push the edge protector into the groove on the machine.
- ➋ Slot the two ends of the edge protector into place until they click.
- ➌ Loosen both ends of the edge protector.
- ➍ Remove the edge protector by pulling it forwards.

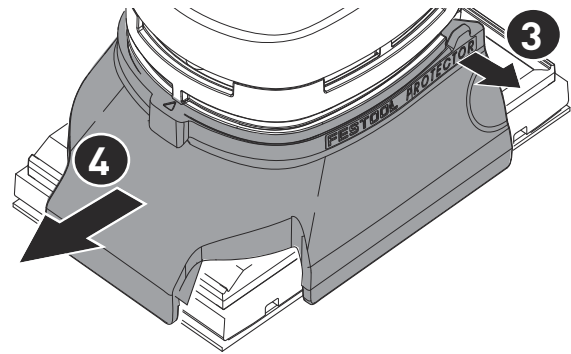
6A



6B



6C



10 Working with the machine



WARNING

Risk of injury

- ▶ Always secure the workpiece in such a manner that it cannot move while being machined.

Observe the following instructions:

- Do not overload the machine by pressing with excessive force! The best sanding results are achieved with moderate application pressure. The sanding capacity and quality are mainly dependent on the selection of the correct abrasive.
- Work in corners and on edges tends to subject the tip to increased stress and results in increased heat development. In such cases, work with reduced contact pressure.
- Hold the machine with one hand on the handle [1-8].

10.1 Warning signal

The machine shuts down and makes a sound:

- ▶ Switch off the machine.

Battery pack is empty.

- ▶ Change the battery pack.

The machine shuts down and does not make a sound:

Machine is overheated or has been overloaded.

- ▶ Switch off the machine for 30 seconds.
- ▶ Reduce the machine load.

If the machine's final speed is then not reached, allow the machine to cool down.

11 Service and maintenance



WARNING

Risk of injury, electric shock

- ▶ Always disconnect the battery pack from the machine before any cleaning or maintenance!



WARNING

Any maintenance or repair work that requires opening of the motor or gear housing should only be carried out by an authorised Customer Service Centre (name supplied by your dealer)!

- Maintenance or repair work carried out by an unauthorised person can lead to the wrong connection of the power cord or other components, which in turn can lead to accidents with serious consequences.



CAUTION

Certain cleaning agents and solvents are harmful to plastic parts.

- Some of these include, but are not limited to: Gasoline, Acetone, Methyl Ethyl Ketone (MEK), Carbonyl Chloride, cleaning solutions containing Chlorine, Ammonia, and household cleaners containing Ammonia.



Customer service and repairs must only be carried out by the manufacturer or service workshops. Find the nearest address at:

www.festoolusa.com/service



Always use original Festool spare parts. Order no. at:

www.festoolusa.com/service

- To ensure constant air circulation, always keep the cooling air openings in the motor housing clean and free of blockages.
- In the event of a slowdown in performance or increased vibrations, blow and clean cooling air openings.
- Keep the contacts on the machine, charger and battery pack clean.

Check all warnings on the electric power tool for readability and completeness. Replace missing or illegible warnings.

12 Accessories

Use only original Festool accessories and Festool consumable material intended for this machine. These components are designed specifically for this machine. Using accessories and consumable material from other suppliers will most likely affect the quality of your results and limit warranty claims. Machine wear or your own personal workload may increase depending on the application. Protect yourself and

your machine, and preserve your warranty claims by always using original Festool accessories and Festool consumable material! The order numbers of the accessories and tools can be found in the Festool catalogue or on the Internet under "www.festoolusa.com".

12.1 SYSTAINER

Systainer

Many Festool products are shipped in a unique system container, called "Systainer". This provides protection and storage for the tool and accessories. The Systainers are stackable and can be interlocked together. They also can be interlocked atop Festool CT dust extractors.

To open the Systainer



Turn the T-loc **[SYS-b-1]** to this position.

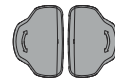
To lock the Systainer



Turn the T-loc **[SYS-b-1]** to this position.

To connect two Systainers

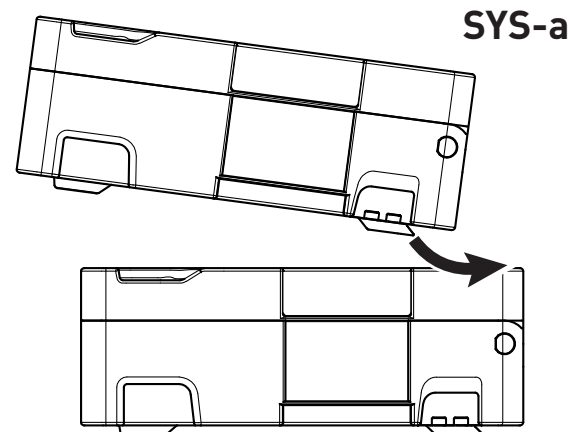
Place one Systainer on the top of the other (Fig. **[SYS-a]**).

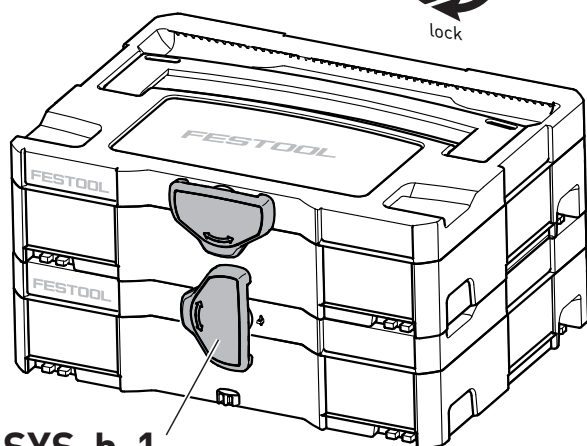
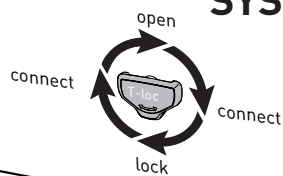


Turn the T-loc **[SYS-b-1]** to one of this positions (Fig. **[SYS-b]**).

The Systainers are connected and locked.

- ⓘ A Systainer Classic Line can be connected to a Systainer T-Loc or to a Systainer³ from below via its four locking devices. A Systainer T-Loc can be connected to a Systainer³ both from below and from above.



SYS-b**SYS-b-1****13 Environment**

Do not dispose of the device together with domestic waste! Dispose of machines, accessories and packaging at an environmentally responsible recycling centre. Observe the valid national regulations.

Battery Disposal**WARNING****Risk of fire or injury**

- ▶ Do not attempt to disassemble the battery or remove any component projecting from the battery terminals.
- ▶ Prior to disposal, protect exposed terminals with heavy insulating tape to prevent shorting.






Sommaire

1	À propos de ce manuel.....	13
2	Symboles.....	13
3	Consignes de sécurité.....	14
4	Utilisation en conformité avec les instructions.....	17
5	Caractéristiques techniques.....	18
6	Description fonctionnelle.....	18
7	Batterie.....	18
8	Mise en service.....	18
9	Réglages.....	19
10	Travail avec la machine.....	21
11	Entretien et maintenance.....	22
12	Accessoires.....	22
13	Environnement.....	23




1 À propos de ce manuel

Conservez ces instructions

Il est important pour vous de lire et de comprendre ce manuel. Les informations qu'il contient, se rapporte à la protection **de votre sécurité** et **de prévention des problèmes**. Les symboles suivants sont utilisés pour vous aider à reconnaître cette information.

	DANGER	Description du risque imminent et l'incapacité à éviter tout risque qui peut entraîner la mort.
	AVERTISSEMENT	Description des dangers possibles et des blessures qui en résultent ou la mort.
	ATTENTION	Description des dangers et des éventuelles blessures qui en résultent.
	AVIS	Déclaration incluant le type de danger et conséquences possibles.
	CONSEIL	Indique des informations, des notes ou des conseils pour améliorer votre succès en utilisant l'outil.

2 Symboles

	Avertit d'un danger général
	Avertit d'un risque de décharge électrique
	Lire le mode d'emploi et les consignes de sécurité !



Porter des lunettes de protection !



Porter une protection auditive !



Porter une protection respiratoire !



Brancher le câble de raccordement secteur



Débrancher le câble de raccordement secteur



Classe de protection II



Conseil, information



Instruction



Courant alternatif



centigrade



Pouce



kilogramme



millimètre



Newton metre



Vitesse de rotation à vide



Livre



Tours par minute



Volt



3 Consignes de sécurité

3.1 Consignes générales de sécurité pour outils électroportatifs



AVERTISSEMENT ! Veuillez lire toutes les consignes de sécurité, instructions, illustrations et caractéristiques techniques qui accompagnent le présent outil électroportatif.

Des négligences relatives aux instructions suivantes peuvent occasionner un choc électrique, un incendie et/ou des blessures graves.

Conserver l'ensemble des consignes de sécurité et des instructions afin de pouvoir les consulter ultérieurement.

Le terme « outil électroportatif » utilisé dans les consignes de sécurité se rapporte aux outils électroportatifs fonctionnant sur secteur (avec câble) et aux outils électroportatifs fonctionnant sur batterie (sans câble).

1 SÉCURITÉ DU POSTE DE TRAVAIL

- Veillez à ce que la zone de travail soit propre et bien éclairée.** Un poste de travail en désordre ou mal éclairé peut entraîner des accidents.
- Ne vous servez pas de l'outil électroportatif dans un environnement où il y a un risque d'explosion dû à la présence de liquides inflammables, de gaz ou de poussières.** Les outils électroportatifs peuvent générer des étincelles susceptibles d'enflammer la poussière ou les vapeurs.
- Éloignez les enfants et d'autres personnes pendant l'utilisation de l'outil électroportatif.** Si vous êtes distrait, vous pouvez perdre le contrôle de l'outil électroportatif.

2 SÉCURITÉ ÉLECTRIQUE

- Le connecteur de l'outil électroportatif doit correspondre à la prise électrique. Le connecteur ne doit être modifié d'aucune façon. N'utilisez pas d'adaptateur avec des outils électroportatifs mis à la terre.** Des connecteurs intacts et des prises correspondantes diminuent le risque d'un choc électrique.
- Évitez tout contact avec des surfaces mises à la terre telles que des tuyaux, chauffages, cuisinières et réfrigérateurs.** Un risque élevé de choc électrique existe si votre corps est relié à la terre.
- Protégez les outils électroportatifs de la pluie et de l'humidité.** L'infiltration d'eau dans un outil électroportatif augmente le risque de choc électrique.

- Ne détournez pas l'utilisation du câble de raccordement pour porter l'outil électroportatif, l'accrocher ou pour tirer le connecteur de la prise. Éloignez le câble de la chaleur, de l'huile, de bords tranchants ou de pièces en mouvement.** Des câbles de raccordement endommagés ou enchevêtrés augmentent le risque de choc électrique.
- Si vous travaillez avec un outil électroportatif à l'extérieur, utilisez uniquement des rallonges prévues pour l'extérieur.** L'utilisation d'un câble prévu pour l'extérieur diminue le risque d'un choc électrique.
- Utilisez un disjoncteur à courant de défaut quand le fonctionnement de l'outil électroportatif en environnement humide ne peut pas être évité.** L'utilisation d'un disjoncteur à courant de défaut diminue le risque d'un choc électrique.

3 SÉCURITÉ DES PERSONNES

- Soyez attentif à ce que vous faites, faites preuve de bon sens lorsque vous travaillez avec l'outil électroportatif. N'utilisez pas l'outil électroportatif si vous êtes fatigué ou si vous êtes sous l'influence de drogues, de l'alcool ou de médicaments.** Un moment d'inattention lors de l'utilisation de l'outil électroportatif peut entraîner des blessures graves.
- Portez un équipement de protection individuelle et des lunettes de protection en permanence.** Le port d'un équipement de protection individuelle tel que masque contre la poussière, chaussures de sécurité antidérapantes, casque ou protection auditive, en fonction du type et de l'utilisation de l'outil électroportatif, diminue le risque de blessures.
- Évitez toute mise en service involontaire. Assurez-vous que l'outil électroportatif est déconnecté avant de le raccorder à l'alimentation électrique et/ou à la batterie, avant de le soulever ou de le porter.** Si, en portant l'outil électroportatif, vous avez le doigt sur l'interrupteur ou si vous raccordez l'outil électroportatif connecté à l'alimentation électrique, cela peut entraîner des accidents.
- Retirez les outils de réglage ou les clés anglaises avant de connecter l'outil électroportatif.** Un outil ou une clé qui se trouve dans une partie de l'outil électroportatif en rotation peut entraîner des blessures.

- e. **Évitez toute position de travail anormale. Veillez à maintenir une position stable et un bon équilibre à tout moment.** Vous pourrez ainsi à tout moment contrôler l'outil électroportatif dans des situations inattendues.
 - f. **Portez des vêtements adaptés. Ne portez pas de vêtements amples ou de bijoux. Éloignez vos cheveux et vos vêtements des pièces en mouvement.** Des vêtements amples, des bijoux ou des cheveux longs pourraient se prendre dans les pièces en mouvement.
 - g. **Si des dispositifs d'aspiration et de récupération des poussières peuvent être montés, raccordez-les et utilisez-les correctement.** L'utilisation d'une aspiration des poussières peut diminuer les dangers dus aux poussières.
 - h. **Ne vous croyez pas faussement en sécurité et n'enfreignez pas les règles de sécurité destinées aux outils électroportatifs, même si vous maîtrisez l'outil électroportatif après de multiples utilisations.** Un manque d'attention peut en un quart de seconde entraîner de graves blessures.
- e. **Prenez soin de vos outils électroportatifs et outils. Vérifiez que les parties mobiles fonctionnent sans problème, qu'elles ne coincent pas et qu'il n'y a pas de parties cassées ou endommagées qui pourraient entraver le bon fonctionnement de l'outil électroportatif. Faites réparer les parties endommagées avant d'utiliser l'outil électroportatif.** De nombreux accidents sont dus à un mauvais entretien des outils électroportatifs.
 - f. **Maintenez les outils de coupe affûtés et propres.** Des outils de coupe entretenus avec soin dotés de bords de coupe affûtés se coincent moins et sont plus faciles à utiliser.
 - g. **Utilisez l'outil électroportatif, les outils, etc. en respectant ces instructions. Tenez compte des conditions de travail et de la tâche à effectuer.** L'utilisation des outils électroportatifs pour d'autres applications que celles prévues peut entraîner des situations dangereuses.
 - h. **Veillez à ce que les poignées et surfaces des poignées soient sèches, propres et exemptes d'huile ou de graisse.** Des poignées et surfaces de poignées glissantes ne permettent pas une utilisation en toute sécurité ni un contrôle de l'outil électroportatif dans des situations imprévues.

4 UTILISATION ET TRAITEMENT DE L'OUTIL ÉLECTROPORTATIF

- a. **Ne surchargez pas l'outil électroportatif. Utilisez l'outil électroportatif destiné à votre travail.** L'outil électroportatif adapté vous permet de travailler mieux et avec plus de sécurité dans la plage de puissance indiquée.
- b. **N'utilisez aucun outil électroportatif dont l'interrupteur serait défectueux.** Un outil électroportatif qui ne peut plus être mis en marche ou arrêté est dangereux et doit être réparé.
- c. **Débranchez le connecteur de la prise de courant et/ou retirez une batterie amovible avant d'effectuer des réglages sur l'appareil, de remplacer des pièces d'outil ou de déposer l'outil électroportatif.** Cette mesure de précaution empêche un démarrage involontaire de l'outil électroportatif.
- d. **Rangez toujours les outils électroportatifs inutilisés hors de portée des enfants. Ne laissez aucune personne à laquelle vous ne faites pas confiance ou qui n'a pas lu ces consignes se servir de l'outil électroportatif.** Les outils électroportatifs sont dangereux lorsqu'ils sont utilisés par des personnes inexpérimentées.

5 UTILISATION ET TRAITEMENT DE L'OUTIL SANS FIL

- a. **Rechargez les batteries uniquement dans les chargeurs recommandés par le fabricant.** Un chargeur destiné à un certain type de batteries peut prendre feu s'il est utilisé avec d'autres batteries.
- b. **Utilisez uniquement les batteries prévues dans les outils électroportatifs.** L'utilisation d'autres batteries peut entraîner des blessures et un risque d'incendie.
- c. **Éloignez la batterie non utilisée des trombones, pièces de monnaie, clés, clous, vis ou tout autre objet métallique qui pourraient causer un pontage des contacts.** Un court-circuit entre les contacts de la batterie peut causer des brûlures ou un incendie.
- d. **En cas d'utilisation erronée, il est possible que du liquide s'écoule de la batterie. Éviter tout contact avec celui-ci. En cas de contact accidentel, rincer avec de l'eau. Si le liquide pénètre dans les yeux, consultez en plus un médecin.** Le liquide s'écoulant

de la batterie peut causer des irritations cutanées ou des brûlures.

- e. **N'utilisez pas de batterie endommagée ou modifiée.** Des batteries endommagées ou modifiées peuvent causer des réactions inattendues et provoquer un incendie, une explosion ou des blessures.
- f. **N'exposez pas une batterie au feu ou à des températures élevées.** Le feu ou des températures supérieures à 130 °C peuvent provoquer une explosion.
- g. **Suivez toutes les instructions pour le chargement et ne chargez jamais la batterie ou l'outil sans fil hors de la plage de température indiquée dans la notice d'utilisation.** Un chargement erroné ou hors de la plage de température autorisée peut détruire la batterie et augmenter le risque d'incendie.

6 SERVICE

- a. **Faites réparer votre outil électroportatif uniquement par un personnel qualifié ; les réparations doivent être effectuées avec des pièces d'origine uniquement,** afin de garantir la fiabilité de l'outil électroportatif.
- b. **N'entretenez jamais de batteries endommagées.** Seul le fabricant ou des ateliers de service après-vente agréés doivent réaliser l'ensemble de la maintenance des batteries.
- c. **Pour la réparation et l'entretien, n'utilisez que des pièces d'origine.** L'utilisation d'accessoires ou de pièces détachées non adaptés risque de provoquer une électrocution ou des blessures.

Respecter la notice d'utilisation du chargeur et de la batterie.

3.2 Consignes de sécurité spécifiques à l'appareil

Consignes de sécurité spécifiques à la machine

- **Au cours du travail, des poussières dangereuses pour la santé peuvent être générées (comme les poussières de peintures au plomb, certaines poussières de bois).** Le contact ou l'inhalation de ces poussières peut présenter un danger pour l'utilisateur ou les personnes se trouvant à proximité. Veuillez respecter les prescriptions de sécurité en vigueur dans votre pays.



Pour votre santé, porter un masque de protection respiratoire de classe P2. Dans les espaces clos, assurer une ventilation suffisante et brancher un dispositif d'aspiration.



Porter systématiquement des lunettes de protection pour se protéger des risques inhérents au ponçage.


- **Nettoyez à l'eau les accessoires imprégnés d'huile, comme par ex. le patin de ponçage ou le feutre de polissage, et laissez-les sécher en les étalant convenablement.** Les accessoires imbibés d'huile sont susceptibles de s'enflammer spontanément.
- **Attention au risque d'incendie ! Évitez la surchauffe des matériaux travaillés et de la ponceuse. Videz systématiquement le bac de récupération des poussières avant de faire une pause dans votre travail.** Les particules de poussières se trouvant dans le sac filtre ou le filtre de l'aspirateur peuvent s'enflammer d'elles-mêmes dans des conditions défavorables, comme par ex. la projection d'étincelles lors du ponçage de pièces en métal. Le risque est particulièrement important lorsque les particules de poussières sont mélangées à des résidus de vernis, de polyuréthane ou d'autres substances chimiques et que les matériaux travaillés sont très chauds après avoir été longtemps travaillés.
- **En cas de chute, vérifiez que l'outil électroportatif et le patin de ponçage ne sont pas endommagés. Démontez le patin de ponçage pour un examen minutieux. Faites réparer les pièces endommagées avant toute utilisation.** Des patins de ponçage cassés et des machines endommagées peuvent causer des blessures et compromettre la sûreté de la machine.
- **N'utilisez que des plateaux de ponçage d'origine Festool.**
- **L'utilisation du sac à poussière Longlife peut entraîner une décharge électrique. Utiliser toujours, si possible, un tuyau d'aspiration antistatique (AS) avec l'outil électroportatif.** Un simple choc électrique peut faire brièvement peur et perturber l'attention, risquant ainsi de provoquer un accident.
- Utilisez l'adaptateur secteur uniquement avec cet appareil.

- Utilisez l'adaptateur secteur uniquement avec un câble plug it d'origine Festool.

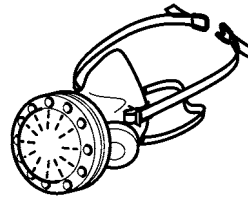
Consignes de sécurité spécifiques au bloc batteries et au chargeur

- Ce chargeur peut être utilisé par des personnes aux capacités physiques, sensorielles ou mentales réduites ou présentant un manque d'expériences ou de connaissances si elles sont surveillées ou qu'elles ont été instruites pour son utilisation sûre et qu'elles comprennent les dangers qui en résultent. Les **enfants** ne doivent pas utiliser la machine ou jouer avec.
- Ne pas ouvrir la batterie ni le chargeur!
- Protéger le chargeur des pièces métalliques (par ex. copeaux métalliques) ou des liquides!
- **N'utiliser d'alimentation ou batteries d'autres fabricants pour faire fonctionner l'outil électrique sans fil. N'utiliser un chargeur d'autres fabricants pour charger la batterie.** L'utilisation d'accessoires non autorisés peut entraîner un choc électrique et / ou accidents graves!
- Protéger la batterie contre une température supérieure à 50 °C par ex. également contre les rayons de soleil permanents et le feu !
- N'utiliser en aucun cas de l'eau pour éteindre une batterie "Li-ion" enflammée ! Utiliser du sable ou une couverture anti-feu.
- Contrôler régulièrement le connecteur et le câble pour éviter tout danger. En cas d'endommagement, les faire remplacer uniquement par un atelier de service après-vente agréé.
- Lorsque le chargeur n'est pas utilisé, débranchez systématiquement la fiche secteur de la prise de courant.

3.3 La poussière, un risque pour la santé

 **AVERTISSEMENT!** certaines poussières créées par le ponçage mécanique, le sciage, le meulage, le perçage et autres activités reliées à la construction contiennent des substances chimiques connues (dans l'État de la Californie) comme pouvant causer le cancer, des anomalies congénitales ou représenter d'autres dangers pour la reproduction. Voici quelques exemples de telles substances:

- plomb provenant de peintures à base de plomb,
- silice cristallisée utilisée dans les briques, le ciment et autres matériaux de maçonnerie, et
- arsenic et chrome du bois d'oeuvre traité avec un produit chimique.



Le risque d'exposition à de tels produits varie selon la fréquence à laquelle vous faites ce genre de travail. Pour réduire les risques d'exposition à ces substan-

ces chimiques : travaillez dans un endroit adéquatement ventilé et utilisez un équipement de sécurité approuvé, tel que masques antipoussières spécialement conçus pour filtrer les particules microscopiques.



AVERTISSEMENT

POUR RÉDUIRE LE RISQUE DE DOMMAGES, L'UTILISATEUR DOIT LIRE LE MANUEL D'INSTRUCTION.

4 Utilisation en conformité avec les instructions

Les ponceuses sont prévues pour le ponçage des matériaux suivants : bois, matières plastiques, matériaux composites, peintures / vernis, enduits et matériaux similaires. L'usinage du métal et de l'amiante est formellement interdit. Afin de garantir la sécurité électrique, l'outil ne doit pas être mouillé ou utilisé en environnement humide. Cet outil doit être exclusivement utilisé pour le ponçage à sec.



L'utilisateur est responsable des dommages provoqués par une utilisation non conforme.

5 Caractéristiques techniques

Ponceuse vibrante sans fil	DTSC 400 Li	RTSC 400 Li
Tension	18 - 20 V	18 - 20 V
Vitesse (à vide)	6000 - 10000 min ⁻¹	6000 - 10000 min ⁻¹
Course de ponçage	5/64" (2,0 mm)	5/64" (2,0 mm)
Patin de ponçage	4" x 6" (100 x 150 mm)	3-5/32" x 5-1/4" (80 x 130 mm)
Poids (sans batterie, avec patin de ponçage)	2 lb. (1,0 kg)	2 lb. (1,0 kg)

6 Description fonctionnelle

- [1-1] Interrupteur de marche/arrêt
- [1-2] Bloc batteries
- [1-3] Affichage de la capacité
- [1-4] Raccord d'aspiration
- [1-5] Régulation de la vitesse
- [1-6] Patin de ponçage
- [1-7] Capot protecteur
- [1-8] Poignées isolées
- [1-9] Adaptateur secteur avec connexion plug it*
- [1-10] Câble plug it*
- [1-11] Sac poussière Longlife

* not on all versions included in the scope of delivery

Des éléments fournis sont disponibles au début de cette notice d'utilisation.

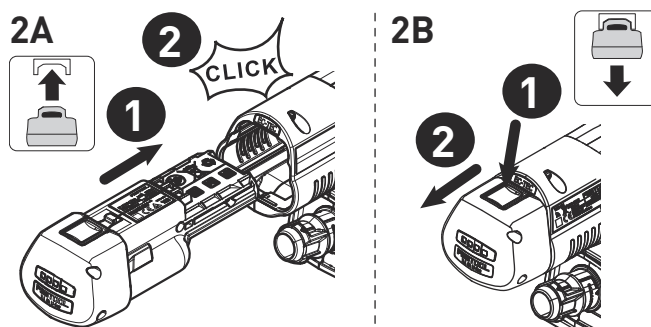
7 Batterie

Vérifiez la propreté du logement avant d'insérer la batterie. En présence de saletés dans le logement de batterie, il risque d'y avoir un mauvais contact électrique et les contacts risquent d'être endommagés.

Un mauvais contact électrique peut provoquer la surchauffe et la détérioration de l'outil électroportatif.

[2B] Retirer la batterie.

[2A] Insérer la batterie - jusqu'à son enclenchement.



i Vous trouverez des informations supplémentaires sur le chargeur et la batterie à indicateur de charge dans les notices d'utilisation de ces deux éléments.

8 Mise en service

8.1 Adaptateur secteur



AVERTISSEMENT

Tension ou fréquence non admissible !

Risque d'accident

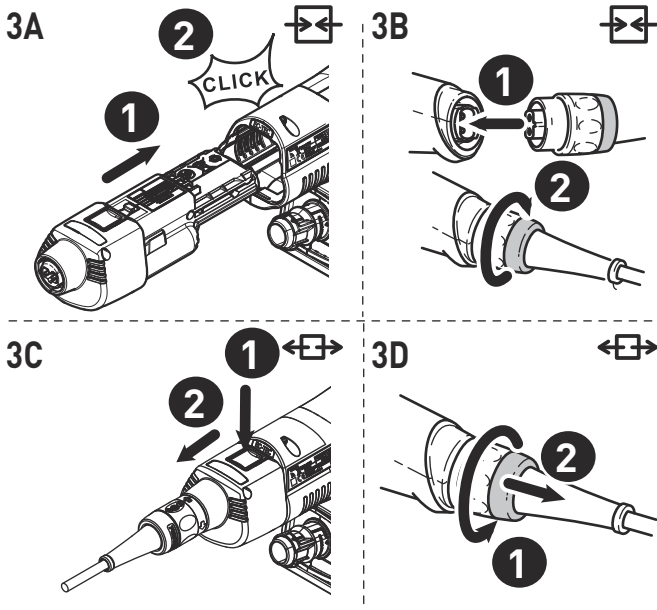
- La tension et la fréquence d'alimentation électrique doivent être conformes aux indications de la plaque signalétique.
- En Amérique du nord, utilisez uniquement les outils Festool fonctionnant sous une tension de 120 V/60 Hz.

L'adaptateur secteur (en partie accessoires) permet d'utiliser la ponceuse sans fil comme ponceuse filaire de façon à bénéficier d'une double alimentation (sans fil et filaire). L'utilisation de la commande marche/arrêt automatique de l'aspirateur est possible en liaison avec l'adaptateur secteur.

i Dans le cas d'anciens aspirateurs, la commande marche/arrêt automatique est le cas échéant tout d'abord activée sous charge et pas encore en marche à vide en raison d'une puissance absorbée faible.

- Insérer l'adaptateur secteur [3A]

- ▶ Relier l'adaptateur secteur avec le câble plug it [3B]
- ▶ Débrancher l'adaptateur secteur [3C]
- ▶ Débrancher l'adaptateur secteur du câble plug it [3D]



8.2 Marche/Arrêt

L'interrupteur [1-1] fait office d'interrupteur marche/arrêt (I = MARCHE, 0 = ARRÊT).

- ⓘ Si la batterie est vide, qu'une panne de courant se produit ou que la prise secteur est débranchée, mettre immédiatement l'interrupteur marche/arrêt en position d'arrêt. Ceci permet d'éviter tout redémarrage intempestif.

9 Réglages



AVERTISSEMENT

Risque de blessures

- ▶ Retirer la batterie de l'outil électroportatif avant toute intervention sur ce dernier.

9.1 Électronique

Démarrage progressif

Le démarrage progressif assure un fonctionnement sans à-coups de la machine.

Sécurité thermique

Pour éviter la surchauffe du moteur, la puissance absorbée de l'outil est réduite en cas de température trop élevée du moteur. Si la surtempérature perdure, la machine s'arrête complètement. Une nouvelle mise en marche n'est possible qu'après refroidissement du moteur.

Vitesse de rotation constante

La vitesse sélectionnée est maintenue constante de manière électronique. La vitesse de ponçage reste homogène lorsque l'outil est utilisé de façon conforme (pression appropriée).


Réglage de la vitesse

La molette [1-5] permet de régler la vitesse de rotation entre 6000 et 10000 min⁻¹.

Pour les travaux de ponçage, nous recommandons de régler la molette comme suit [1-5]:

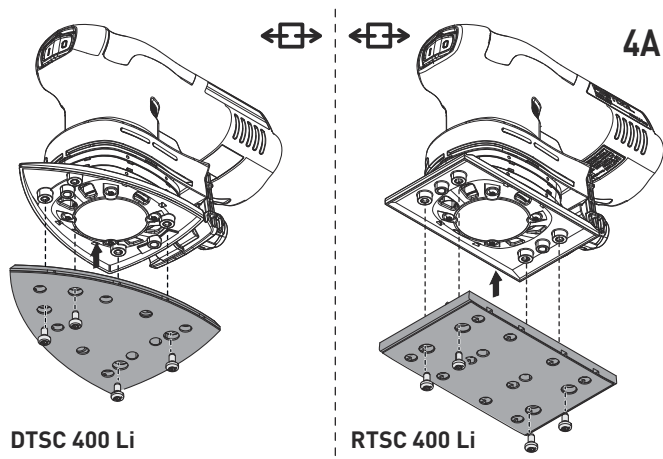
Travaux de ponçage	Position de la molette
<ul style="list-style-type: none"> - Ponçage avec abrasion élevée - Ponçage d'anciennes peintures - Ponçage de bois et de contreplaqué avant peinture - Ponçage intermédiaire de peintures (surfaces planes) 	5 - 6
<ul style="list-style-type: none"> - Ponçage de sous-couches fines - Ponçage de bois à l'aide du non-tissé de ponçage - Réalisation de chants sur des pièces en bois - Lissage de surfaces en bois à enduit 	4 - 5
<ul style="list-style-type: none"> - Ponçage de chants en bois massif et en contreplaqué - Ponçage dans la rainure de fenêtres et de portes - Ponçage intermédiaire du vernis de chants - Ponçage de fenêtres en bois naturel à l'aide du non-tissé de ponçage - Lissage de la surface en bois avant le décapage à l'aide du non-tissé de ponçage - Ponçage ou enlèvement de la pâte de chaux superflue à l'aide du non-tissé de ponçage 	3 - 4
<ul style="list-style-type: none"> - Ponçage intermédiaire de vernis de surfaces décapées - Nettoyage de rainures de fenêtres en bois à l'aide du non-tissé de ponçage 	2 - 3
<ul style="list-style-type: none"> - Ponçage de chants décapés - Ponçage de matières synthétiques thermoplastiques 	1 - 2

9.2 Changement de patin de ponçage [4A]

 Pour obtenir un résultat exceptionnel, utiliser uniquement les accessoires et consommables d'origine. En cas de non-utilisation des accessoires et consommables d'origine, les dommages qui pourraient s'ensuivre ne sont pas couverts par la garantie.

Dès que le revêtement StickFix du patin de ponçage est usé, remplacer l'ensemble du patin de ponçage :

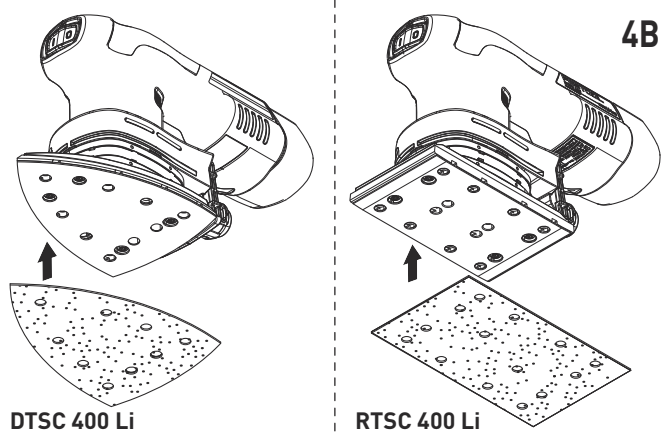
- ❶ Desserrer quatre vis.
- ❷ Tirer le patin de ponçage vers le bas.
- ❸ Monter un nouveau patin de ponçage.
- ❹ Serrer avec quatre vis à la main (2,5 Nm).



9.3 Fixation des accessoires de ponçage avec StickFix [4B]

Le plateau de ponçage StickFix permet de fixer des abrasifs et des feutres StickFix adaptés de manière simple et rapide.

- Appuyer l'accessoire de ponçage autocollant sur le patin de ponçage.



9.4 Aspiration



AVERTISSEMENT

Risques pour la santé dus aux poussières

- Les poussières peuvent être dangereuses pour la santé. Pour cette raison, ne travaillez jamais sans aspiration.
- Respectez toujours les prescriptions nationales en vigueur lors de l'aspiration de poussières dangereuses pour la santé.

Aspiration intégrée avec sac poussière Longlife

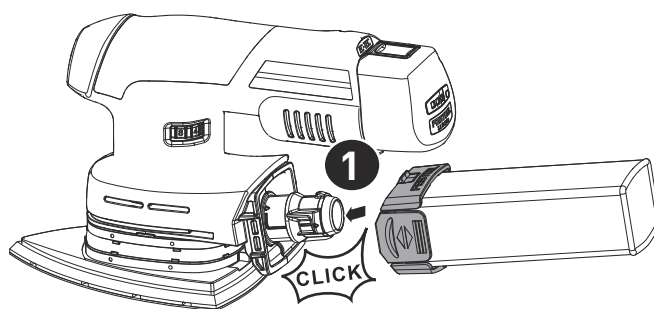
Les ponceuses sont équipées de série d'une aspiration intégrée. La poussière de ponçage est aspirée à travers les orifices d'aspiration du patin de ponçage et recueillie dans le sac poussière.

Montage du sac poussière [5]

- ❶ Raccorder le sac poussière à la machine jusqu'à enclenchement.

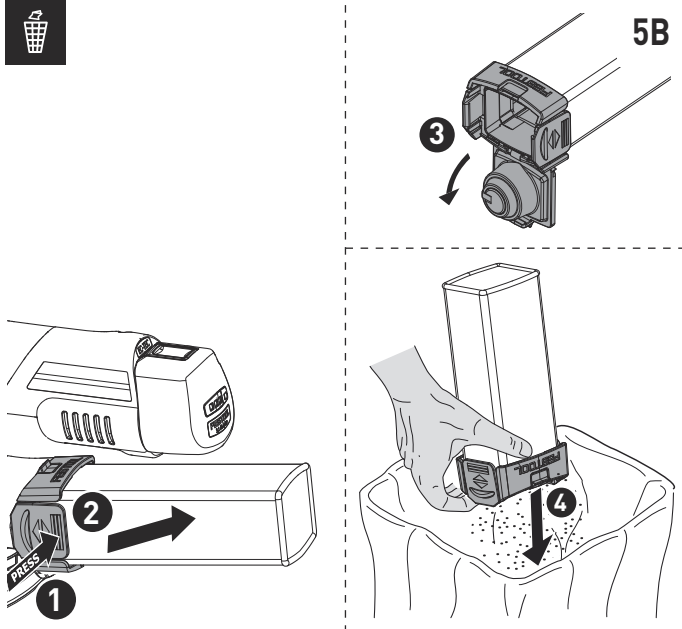


5A



Quand la puissance d'aspiration diminue, vider le sac poussière.

- ❶ Appuyer sur les dispositifs d'actionnement du sac poussière.
- ❷ Tirer le sac poussière vers l'arrière.
- ❸ Ouvrir le clapet du sac poussière.
- ❹ Vider le sac poussière et éliminer les déchets.



Aspiration avec l'aspirateur Festool

Pour éviter de vider fréquemment le sac poussière lors de travaux de ponçage prolongés, raccorder un aspirateur Festool avec tuyau d'aspiration de 27 mm de diamètre au raccord d'aspiration [1-4].

- ⓘ Le démarrage automatique connecte l'aspirateur automatiquement à la mise en route de la ponceuse vibrante. Le démarrage automatique fonctionne uniquement en liaison avec l'adaptateur secteur.
- ⓘ Si l'outil électroportatif est utilisé avec la batterie avec un aspirateur, la durée de la batterie diminue. La baisse de la puissance d'aspiration diminue cet effet.
- ⓘ En cas de puissance d'aspiration élevée, le comportement de guidage de l'outil électroportatif peut se dégrader. La baisse de la puissance d'aspiration diminue cet effet.

Notre recommandation : utilisez un tuyau d'aspiration antistatique ! La fonction antistatique empêche la charge d'électricité statique.

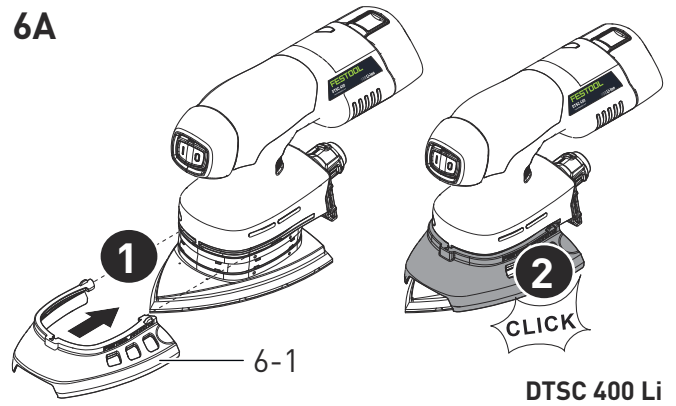
9.5 Capot protecteur[6]

La protection pour chants [6-1] empêche que la circonférence du patin de ponçage ne touche une surface (par ex. lors du ponçage le long d'un mur ou d'une fenêtre) et ne provoque un rebond de l'outil, voire des dommages.

- ➊ Insérer la protection des bords dans la rainure de la machine.
- ➋ Enclencher les deux extrémités de la protection des bords à droite et à gauche.
- ➌ Desserrer les deux extrémités de la protection des bords.

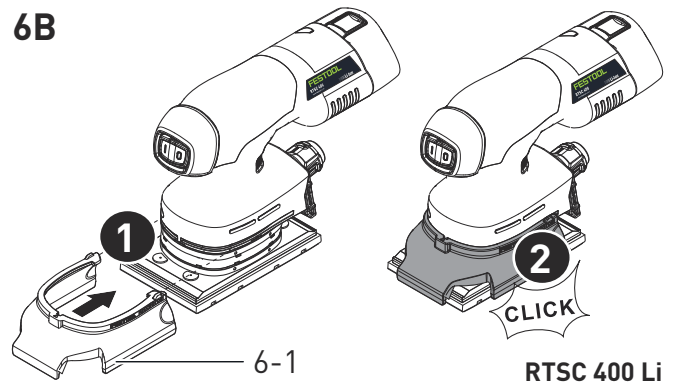
➍ Enlever la protection des bords par l'avant.

6A



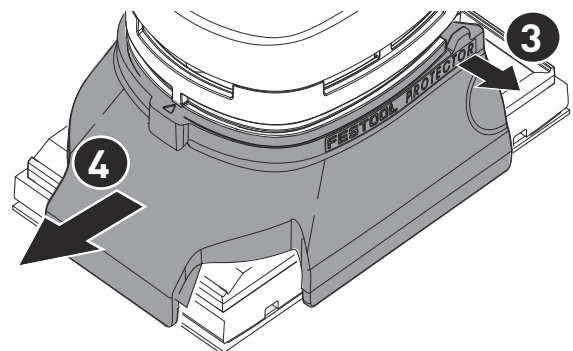
DTSC 400 Li

6B



RTSC 400 Li

6C



10 Travail avec la machine



AVERTISSEMENT

Risques de blessures

- Fixer la pièce à usiner de manière à ce qu'elle ne puisse pas bouger pendant le traitement.

Observez les consignes suivantes :

- Ne surchargez pas l'outil : n'exercez pas de pression trop importante ! Pour obtenir des résultats optimaux, il convient d'exercer une pression modérée. Les performances de ponçage et la qualité du ponçage dépendent essentiellement du choix de l'abrasif.
- Le fait d'intervenir dans les angles et sur les chants sollicite ponctuellement la pointe et produit un fort dégagement de chaleur. Vous devez donc exercer moins de pression.

- Maintenir la machine avec une main à la poignée [1-8] afin de garantir un guidage sûr.

10.1 Signaux d'avertissement

La machine s'éteint et émet 1 bip sonore :

- Désactiver la machine.

La batterie est déchargée.

- Remplacer la batterie.

La machine s'éteint et n'émet pas de bip sonore :

Il y a eu surchauffe ou surcharge de l'outil.

- Désactiver la machine pendant 30 secondes.
- Réduire la charge sur l'outil.

Si la vitesse de rotation de la machine n'est pas atteinte ensuite, faire refroidir la machine.

11 Entretien et maintenance



AVERTISSEMENT

Risques de blessures, choc électrique

- Retirez systématiquement la batterie de la machine avant tous les travaux de maintenance et d'entretien !



AVERTISSEMENT

Tout travail de maintenance ou de réparation, qui nécessite l'ouverture du moteur ou du carter d'engrenages doit uniquement être effectué par un centre service-client autorisé (nom fourni par votre revendeur) !

- Les travaux de maintenance ou de réparation effectués par un personnel non autorisé peuvent conduire à la mauvaise connexion de câbles d'alimentation ou d'autres composants, ce qui peut entraîner à son tour des accidents avec des conséquences graves.



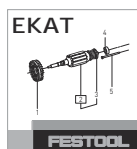
ATTENTION

Certains produits nettoyants et solvants sont nocifs pour les pièces en plastique.

- Quelques exemples de produit nocif : essence, acétone, méthyléthylcétone (MEK), chlorure de carbonyle, solutions nettoyantes contenant du chlore, de l'ammoniac et les produits ménagers contenant de l'ammoniac.



Service après-vente et réparation uniquement par le fabricant ou des ateliers homologués. Pour trouver l'adresse la plus proche : www.festoolusa.com/service



Utiliser uniquement des pièces détachées Festool d'origine ! Réf. sur : www.festoolusa.com/service

- Pour assurer la circulation de l'air, il est impératif que les ouïes de ventilation du carter moteur soient maintenues dégagées et propres.
- En cas de pertes de puissance ou de vibrations accrues, aspirez et nettoyez les ouvertures de circulation d'air de refroidissement.
- Maintenir les contacts de raccordement sur la machine électrique, le chargeur et la batterie dans un état propre.

Vérifier que les avertissements figurant sur l'outil électroportatif sont lisibles et au complet. Remplacer les avertissements manquants ou illisibles.

12 Accessoires

Utilisez uniquement les accessoires Festool et consommables Festool d'origine prévus pour cette machine, car ces composants systèmes sont parfaitement adaptés les uns par rapport aux autres. Si vous utilisez des accessoires et consommables d'autres marques, la qualité du résultat peut être dégradée et les recours en garantie peuvent être soumis à des restrictions. L'usure de la machine ou votre charge personnelle peuvent augmenter selon chaque application. Pour cette raison, protégez-vous, votre machine et vos droits à la garantie en utilisant exclusivement des accessoires Festool et des consommables Festool d'origine !


Les références des accessoires et des outils figurent dans le catalogue Festool ou sur Internet sous "www.festoolusa.com".

12.1 SYSTAINER


Systainer

De nombreux produits Festool sont fournis dans une caisse exclusive, appelée "Systainer". Celle-ci permet de protéger et de ranger des outils et des appareils complémentaires. Les Systainer sont empilables et peuvent être solidarisés. En outre, il se fixent sur les aspirateurs CT Festool.

Pour ouvrir le Systainer


 Tournez le T-loc **[SYS-b-1]** à cette position.

Pour fermer le Systainer

 Tournez le T-loc **[SYS-b-1]** à cette position.

Pour connecter deux Systainers

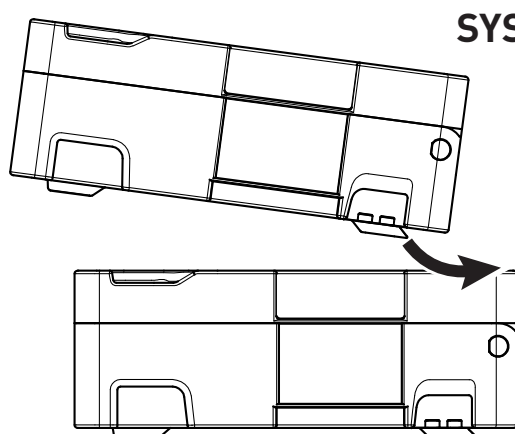
Placez un Systainer au dessus de l'autre **[SYS-a]**.

 Tournez le T-loc **[SYS-b-1]** à une de cette positions (Fig. **[SYS-b]**).

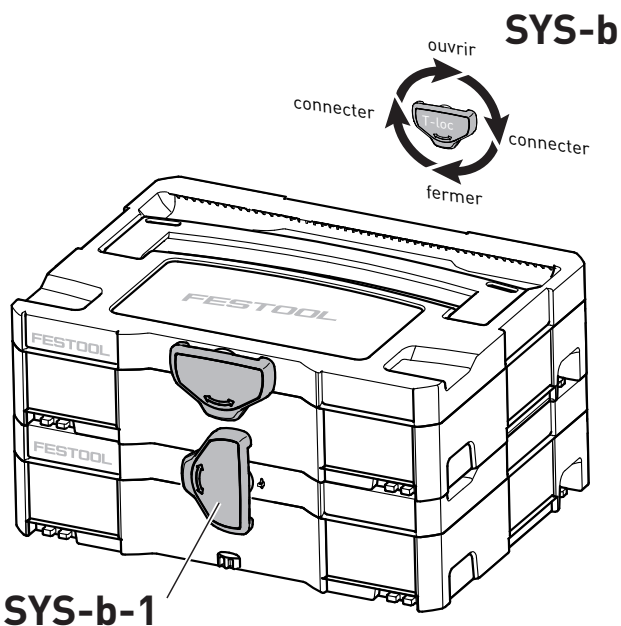
Les Systainers sont combinés.

i Un Systainer Classic Line peut être relié par en bas à un Systainer T-Loc ou à un Systainer³ avec ses quatre éléments de verrouillage

Un Systainer T-Loc peut être relié à un Systainer³ à la fois par le bas et par le haut.



SYS-a



SYS-b

SYS-b-1

13 Environnement

Ne jetez pas l'appareil avec les ordures ménagères ! Éliminez l'appareil, les accessoires et les emballages de façon compatible avec l'environnement. Respectez les prescriptions nationales en vigueur.

Mise au rebut des batteries



AVERTISSEMENT

Risque d'incendie ou de blessures

- ▶ Ne tentez pas de désassembler la batterie ou d'enlever tout composant faisant saillie des bornes de batterie.
- ▶ Avant la mise au rebut, protégez les bornes exposées à l'aide d'un ruban isolant épais pour prévenir le court-circuitage.






Índice de contenidos

1	Sobre este manual.....	24
2	Símbolos.....	24
3	Indicaciones de seguridad.....	24
4	Uso conforme a lo previsto.....	28
5	Datos técnicos.....	28
6	Descripción de las funciones.....	28
7	Batería.....	29
8	Puesta en servicio.....	29
9	Ajustes.....	29
10	Trabajo con la máquina.....	32
11	Mantenimiento y cuidado.....	32
12	Accesorios.....	33
13	Medio ambiente.....	34





1 Sobre este manual








Guarde estas instrucciones

Es importante que usted lea y entienda este manual. La información que contiene se relaciona con la protección de **su seguridad y la prevención de problemas**. Los símbolos que siguen se utilizan para ayudarlo a reconocer esta información.

	PELIGRO	Descripción de peligro inminente y fracaso para evitar riesgos que podran causar la muerte.
	ADVERTENCIA	Descripción de peligro y posibles lesiones resultantes o la muerte.
	PRECAUCIÓN	Descripción de peligro y posibles lesiones resultantes.
	AVISO	Declaración incluyendo el tipo de riesgo y posible resultados.
	CONSEJO	Indica informaciones, notas, o consejos para mejorar su éxito con la herramienta.


2 Símbolos

	Aviso de peligro general
	Peligro de electrocución
	¡Leer el manual de instrucciones y las indicaciones de seguridad!
	Utilizar gafas de protección

	Usar protección para los oídos
	Utilizar protección respiratoria.
	Conexión del cable de conexión a la red eléctrica
	Desconexión del cable de conexión a red
	Clase de protección II
	Consejo, indicación
	Guía de procedimiento
~	corriente alterna
°C	centígrados
"	pulgada
kg	kilogramo
mm	milímetro
Nm	Newton metro
n ₀	revoluciones por minuto en vacío
lb.	libras
rpm	
min ⁻¹	revoluciones por minuto
tr/mn	
V	Voltio

3 Indicaciones de seguridad

3.1 Instrucciones generales de seguridad para herramientas eléctricas

 **¡ADVERTENCIA! Leer todas las indicaciones de seguridad, instrucciones, ilustraciones y datos técnicos que acompañan a esta herramienta eléctrica.** Si no se cumplen debidamente las instrucciones siguientes, puede producirse una descarga eléctrica, quemaduras o lesiones graves.

Guarde todas las indicaciones de seguridad e instrucciones para que sirvan de futura referencia.

El término «herramienta eléctrica» empleado en las indicaciones de seguridad hace referencia a herramientas eléctricas conectadas a la red eléctrica (con un cable de red) o a herramientas eléctricas alimentadas con batería (sin cable de red).

1 SEGURIDAD EN EL LUGAR DE TRABAJO

- a. **Mantenga su zona de trabajo limpia y bien iluminada.** El desorden o la falta de iluminación en las zonas de trabajo pueden dar lugar a accidentes.
- b. **No trabaje con la herramienta eléctrica en entornos potencialmente explosivos donde se encuentren líquidos, gases o polvos inflamables.** Las herramientas eléctricas producen chispas que pueden inflamar el polvo o los vapores.
- c. **Mantenga a niños y adultos alejados de la herramienta eléctrica durante el uso.** Si se distrae, puede perder el control de la herramienta eléctrica.

2 SEGURIDAD ELÉCTRICA

- a. **El conector de la herramienta eléctrica debe encajar en el enchufe. El conector no debe modificarse en modo alguno. No utilice conectores adaptadores con herramientas eléctricas con puesta a tierra.** Unos conectores intactos y unos enchufes adecuados reducen el riesgo de descarga eléctrica.
- b. **Evite el contacto físico con superficies con puesta a tierra como las de tuberías, calefacciones, cocinas y frigoríficos.** Existe un riesgo elevado de descarga eléctrica si su cuerpo está en contacto con la tierra.
- c. **Mantenga las herramientas eléctricas lejos de la lluvia y la humedad.** La penetración de agua en una herramienta eléctrica aumenta el riesgo de descarga eléctrica.
- d. **No utilice el cable de conexión para transportar o colgar la herramienta eléctrica ni para extraer el conector del enchufe. Mantenga el cable de conexión alejado del calor, aceite, cantos afilados o piezas en movimiento.** Los cables de conexión dañados o enredados aumentan el riesgo de descarga eléctrica.
- e. **Si trabaja con una herramienta eléctrica al aire libre, utilice únicamente alargadores aptos para el uso en exteriores.** El empleo de alargadores aptos para el uso en exteriores reduce el riesgo de descarga eléctrica.
- f. **Cuando sea inevitable el uso de la herramienta eléctrica en un entorno húmedo, utilice un interruptor diferencial.** El uso de un interruptor diferencial reduce el riesgo de que se produzca una descarga eléctrica.

3 SEGURIDAD DE LAS PERSONAS

- a. **Sea cuidadoso, preste atención a lo que está haciendo y actúe con prudencia al trabajar con herramientas eléctricas. No utilice ninguna herramienta eléctrica si está cansado o bajo los efectos de drogas, alcohol o medicamentos.** Una mínima distracción mientras está utilizando la herramienta eléctrica puede ocasionarle graves lesiones.
- b. **Lleve puesto el equipo de protección individual y utilice gafas de protección en todo momento.** El empleo del equipamiento de protección personal como p. ej. mascarilla, guantes de seguridad antideslizantes, casco o protección de oídos, según el tipo y la aplicación de la herramienta eléctrica, reduce el riesgo de lesiones.
- c. **Evite un arranque accidental de la herramienta. Asegúrese de que está desconectada antes de conectarla al suministro de corriente o la batería, recogerla o transportarla.** Existe peligro de accidente si transporta la herramienta eléctrica con el dedo sobre el interruptor o si conecta la herramienta eléctrica a la red estando encendida.
- d. **Retire las herramientas de ajuste y las llaves de tornillos antes de conectar la herramienta eléctrica.** Si una herramienta o llave se encuentra en una pieza en movimiento de la herramienta eléctrica, pueden producirse lesiones.
- e. **Evite una postura anormal del cuerpo. Procure un apoyo seguro y mantenga el equilibrio en todo momento.** De esta manera podrá controlar mejor la herramienta eléctrica en situaciones inesperadas.
- f. **Utilice ropa adecuada. No utilice ropa ancha ni objetos de joyería o bisutería. Mantenga el pelo y la ropa alejados de las piezas en movimiento.** La ropa holgada, las joyas o el pelo largo pueden quedar atrapados por piezas en movimiento.
- g. **Si se montan dispositivos de aspiración o recogida de polvo, estos deberán conectarse y utilizarse correctamente.** El empleo de un sistema de aspiración del polvo puede disminuir los peligros a causa del polvo.
- h. **No se cree un falso sentido de la seguridad ni ignore las normas de seguridad de las herramientas eléctricas, ni siquiera si está muy familiarizado con el uso de la herramienta.** Una distracción durante el ma-

nejo puede derivar en graves lesiones en cuestión de pocas fracciones de segundo.

4 USO Y MANEJO DE LA HERRAMIENTA ELÉCTRICA

- a. **No sobrecargue la herramienta eléctrica. Utilice la herramienta eléctrica adecuada para el trabajo que va a realizar.** Con la herramienta apropiada trabajará mejor y más seguro en el rango de potencia especificado.
- b. **No utilice ninguna herramienta eléctrica cuyo interruptor esté defectuoso.** Una herramienta eléctrica que no se pueda conectar o desconectar resulta peligrosa y es necesario repararla.
- c. **Extraiga el conector del enchufe o retire la batería extraíble antes de efectuar los ajustes de la herramienta, cambiar piezas o guardar la herramienta eléctrica.** Esta medida de seguridad impide el arranque accidental de la herramienta eléctrica.
- d. **Mantenga las herramientas eléctricas que no estén utilizando fuera del alcance de los niños. No permita que la herramienta eléctrica sea utilizada por personas que no estén familiarizadas con ella o no hayan leído las presentes indicaciones.** Las herramientas eléctricas en manos inexpertas pueden ser peligrosas.
- e. **Trate las herramientas eléctricas y las herramientas intercambiables con cuidado. Compruebe si las partes móviles funcionan correctamente y no se atascan, y si hay piezas rotas o tan deterioradas que podrían mermar el funcionamiento de la herramienta eléctrica. Haga reparar las piezas deterioradas antes de usar la herramienta eléctrica.** Muchos accidentes tienen su origen en un mantenimiento deficiente de las herramientas eléctricas.
- f. **Mantenga las herramientas cortantes limpias y afiladas.** Las herramientas cortantes bien cuidadas con aristas de corte afiladas se atascan menos y se guían más fácilmente.
- g. **Utilice la herramienta eléctrica, las herramientas intercambiables, etc., de acuerdo con estas instrucciones. Para ello, tenga en cuenta las condiciones de trabajo y la actividad que debe realizar.** El uso de herramientas eléctricas en aplicaciones diferentes a las previstas puede dar lugar a situaciones peligrosas.

- h. **Mantenga las superficies de agarre y los mangos secos, limpios y libres de aceite y grasa.** Un mango o unas superficies de agarre resbaladizos no permiten un manejo y control seguros de la herramienta eléctrica en situaciones imprevistas.

5 USO Y MANEJO DE LA HERRAMIENTA A BATERÍA

- a. **Las baterías deben cargarse exclusivamente en cargadores recomendados por el fabricante.** Existe riesgo de incendio si un cargador apto para un determinado tipo de batería se utiliza con otras baterías.
- b. **Utilice solo las baterías previstas en las herramientas eléctricas en cuestión.** El uso de otras baterías puede provocar lesiones y riesgo de incendio.
- c. **Mantenga la batería que no utilice alejada de clips, monedas, llaves, clavos, tornillos o cualquier otro objeto metálico pequeño que pueda provocar el puenteo de los contactos.** Un cortocircuito entre los contactos de la batería puede causar quemaduras o fuego.
- d. **Si la batería se utiliza incorrectamente, pueden producirse fugas de líquido. Evite el contacto con este líquido. En caso de contacto accidental, enjuague con agua. Si el líquido entra en contacto con los ojos, busque además asistencia médica.** El líquido derramado de la batería puede causar irritaciones en la piel o quemaduras.
- e. **No utilice baterías dañadas o modificadas.** Una batería dañada o modificada puede presentar un comportamiento imprevisible y producir fuego o explosiones o entrañar peligro de lesiones.
- f. **No exponga las baterías al fuego ni a altas temperaturas.** El fuego o una temperatura por encima de 130 °C puede originar una explosión.
- g. **Siga todas las instrucciones para la carga y no cargue la batería ni la herramienta a batería fuera del rango de temperatura especificado en el manual de instrucciones.** Una carga incorrecta o fuera del rango de temperatura permitido puede dañar la batería e incrementar el peligro de incendio.

6 SERVICIO

- a. **Encargue la reparación de su herramienta eléctrica únicamente a personal técnico cualificado y solo con piezas de recambio**

originales. De esta forma queda garantizada la seguridad de la herramienta eléctrica.

- b. **Nunca realice trabajos de mantenimiento en una batería dañada.** Únicamente el fabricante o los centros autorizados del Servicio de Atención al Cliente pueden llevar a cabo los trabajos de mantenimiento de las baterías.
- c. **Utilice exclusivamente piezas originales para la reparación y el mantenimiento de la herramienta.** El uso de accesorios o piezas de recambio no previstos puede producir descargas eléctricas o lesiones.

Tenga en cuenta el manual de instrucciones del cargador y de la batería.

3.2 Indicaciones de seguridad específicas

Indicaciones de seguridad específicas

- **Durante el trabajo puede generarse polvo perjudicial para la salud (p. ej., de pintura de plomo o de algunos tipos de madera).** El contacto o la inhalación de este polvo puede suponer una amenaza para la persona que realiza el trabajo o para aquellas que se encuentren cerca. Debe cumplir la normativa de seguridad vigente en su país.



Por el bien de su salud, utilice una mascarilla de protección respiratoria con filtro P2. En espacios cerrados procure una ventilación suficiente y conecte un dispositivo de aspiración.



Ante el peligro que supone el lijado, lleve siempre gafas de protección.

- **Limpie los medios de trabajo impregnados en aceite, como p. ej. almohadillas para lijar o fieltros de pulido, con agua y déjelos secar.** Los medios de trabajo empapados en aceite pueden inflamarse.
- **¡Atención: peligro de incendio! Evitar un sobrecalentamiento del material de lijado y de la lijadora. Vaciar siempre el contenedor para polvo antes de las pausas en el trabajo.** En condiciones desfavorables, el polvo resultante del lijado acumulado en la bolsa filtrante o en el filtro del sistema móvil de aspiración puede inflamarse, p. ej. si se proyectan chispas al lijar metales. Se puede producir una situación especialmente peligrosa si el polvo resultante del lijado se mezcla con restos de pintura o poliuretano, o bien con otras sustancias químicas, y el material de lijado está caliente después de un trabajo prolongado.


- **Tras una caída, compruebe si se han dañado la herramienta eléctrica o la zapata. Desmonte la zapata para realizar una comprobación exacta. Solicite que le reparen las piezas deterioradas antes de usar la herramienta.** La rotura de la zapata y los daños en la herramienta pueden provocar lesiones e incertidumbre al utilizar la máquina.
- **Utilice solo zapatas originales de Festool.**
- **El uso de la bolsa de polvo Longlife puede provocar posibles cargas eléctricas. Utilizar siempre que sea posible un tubo flexible de aspiración antiestático (AS) con la herramienta eléctrica.** Una descarga eléctrica leve puede causar momentáneamente un susto y perturbar la atención, lo cual puede desembocar en un accidente.
- Utilice el adaptador de red exclusivamente con esta máquina.
- Utilice el adaptador de red exclusivamente con un cable plug it original de Festool.

Indicaciones de seguridad específicas para batería y cargador

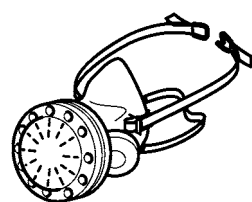
- Este cargador puede ser utilizado por personas con capacidades físicas, sensoriales o mentales disminuidas o con falta de experiencia y conocimientos si son vigilados o han sido instruidos respecto al uso seguro del aparato y comprenden los peligros derivados del mismo. Los **niños** no pueden utilizar el aparato ni jugar con él.
- No abrir la batería ni el cargador!
- Proteger el cargador de piezas metálicas (p. ej.; virutas) o líquidos!
- **No utilizar fuente de alimentación o baterías de otros fabricantes para manejar la herramienta eléctrica accionada por acumulador. No utilizar cargadores de otros fabricantes para cargar la batería.** El uso de accesorios no permitidos puede provocar una descarga eléctrica y / o accidentes graves!
- Proteger la batería de fuentes de calor > 50 °C, como por ejemplo la radiación solar prolongada o el fuego.
- No apagar nunca con agua una batería Li-Ion en llamas. Para ello utilizar arena o una manta contra incendios.
- Comprobar periódicamente el enchufe y el cable para evitar riesgos. En caso de que presenten daños, acudir exclusivamente a un taller autorizado para que los sustituya.

- Si el cargador no se está utilizando, desconecte el enchufe de la caja de contacto.

3.3 Riesgos para la salud producidos por el polvo

 **ADVERTENCIA!** algunos polvos creados por lijadoras motorizadas, aserraderos, trituradores, perforadoras y otras actividades de construcción contienen sustancias químicas que se sabe (en el Estado de California) causan cáncer, defectos de nacimiento u otros daños al sistema reproductivo. Algunos ejemplos de estas sustancias químicas son:

- Plomo de las pinturas con base de plomo
- Sílice cristalino de los ladrillos y cemento y otros productos de mampostería, y
- Arsénico y cromo de madera tratada con sustancias químicas



El riesgo de exposición a estas sustancias varía, dependiendo de cuantas veces se hace este tipo de trabajo. Para reducir el contacto con estas sustancias químicas:

trabaje en un área con buena ventilación y trabaje con equipo de seguridad aprobado, como mascarillas para el polvo diseñadas específicamente para filtrar partículas microscópicas.

5 Datos técnicos

Lijadora orbital de batería	DTSC 400 Li	RTSC 400 Li
Tensión nominal	18 - 20 V	18 - 20 V
Número de revoluciones (marcha en vacío)	6000 - 10000 min ⁻¹	6000 - 10000 min ⁻¹
Órbita	5/64" (2.0 mm)	5/64" (2.0 mm)
Zapata	4"x 6" (100 x 150 mm)	3-5/32" x 5-1/4" (80 x 130 mm)
Peso (sin batería, con zapata)	2 lb. (1.0 kg)	2 lb. (1.0 kg)

6 Descripción de las funciones

- [1-1]** Interruptor de conexión y desconexión
- [1-2]** Batería
- [1-3]** Indicación de capacidad
- [1-4]** Racor de aspiración
- [1-5]** Regulación del número de revoluciones
- [1-6]** Zapata
- [1-7]** Protección de cantos (Protector)



ADVERTENCIA

PARA REDUCIR EL RIESGO DE LESIÓN, EL USUARIO DEBE LEER EL MANUAL DE INSTRUCCIÓN.

4 Uso conforme a lo previsto

Conforme a las especificaciones, las lijadoras están diseñadas para lijar madera, plástico, materiales compuestos, pintura/barniz, emplaste y materiales similares. Se prohíbe su uso para mecanizar metales y materiales que contengan amianto.

Por motivos de seguridad eléctrica, no está permitido mojar la máquina ni utilizarla en entornos húmedos. La máquina se debe utilizar exclusivamente para el lijado en seco.



El usuario será responsable de cualquier utilización indebida.

- [1-8]** Empuñadura (superficies de agarre con aislamiento)
- [1-9]** Adaptador de red con conexión plug it*
- [1-10]** Cable plug it*
- [1-11]** Saco para polvo Longlife

* not on all versions included in the scope of delivery

Las imágenes con la dotación de suministro se encuentran en al comienzo de este manual de instrucciones.

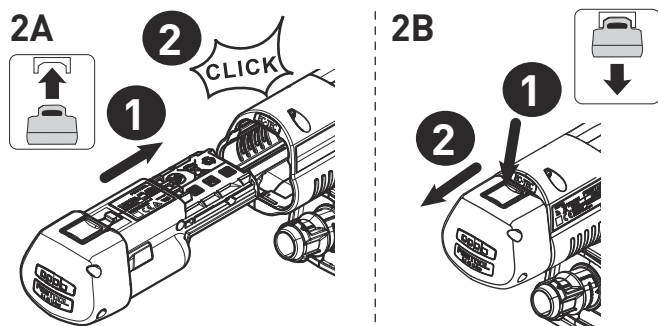
7 Batería

Antes de colocar la batería, comprobar que la conexión de la batería esté limpia. La suciedad en la conexión de la batería puede impedir el contacto correcto y dañar los contactos.

El contacto defectuoso puede ocasionar el sobrecalentamiento y daños en la herramienta.

[2B] Extraer la batería.

[2A] Colocar la batería, hasta que *klick* encaje.



(i) Hallará más información sobre el cargador y la batería con indicación de la capacidad en el manual de instrucciones del cargador y de la batería.

8 Puesta en servicio

8.1 Adaptador de red



ADVERTENCIA

Tensión o frecuencia no permitida

Peligro de caída

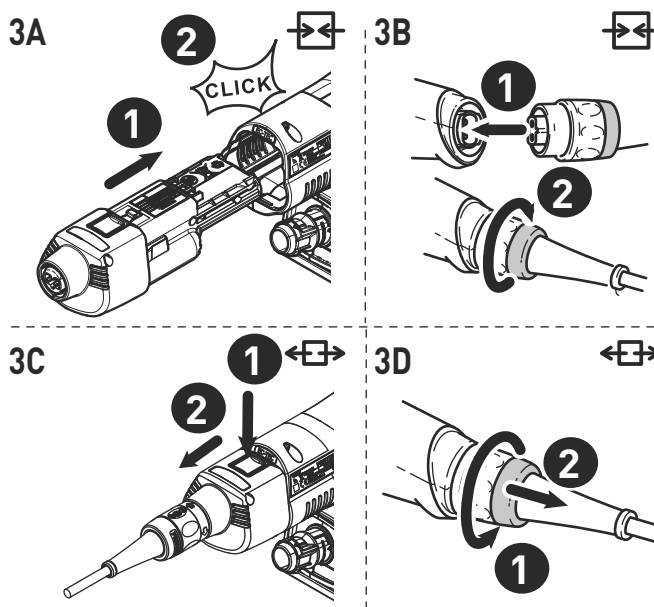
- ▶ La tensión de red y la frecuencia de la red eléctrica deben coincidir con los datos que figuran en la placa de tipo.
- ▶ En Norteamérica sólo las máquinas Festool pueden utilizarse con una tensión de 120 V/60 Hz

El adaptador de red (accesorio parcial) permite utilizar la lijadora de batería como lijadora de conexión a la red, de modo que el suministro de corriente está garantizado de manera variable. El sistema automático de conexión y desconexión del aspirador se puede usar en combinación con el adaptador de red.

(i) En los aspiradores antiguos, el sistema automático de conexión y desconexión para reducir el consumo de potencia solo se activa si es necesario por la carga y no por la marcha en vacío.

- ▶ Insertar el adaptador de red **[3A]**

- ▶ Conectar el adaptador de red con el cable plug it **[3B]**
- ▶ Soltar el adaptador de red **[3C]**
- ▶ Retirar el adaptador de red del cable plug it **[3D]**



8.2 Conexión y desconexión

El interruptor **[1-1]** sirve como interruptor de conexión y desconexión (I = CONECTADO, 0 = DESCONECTADO).

(i) Si la batería está vacía, en caso de corte de corriente o al retirar el enchufe, situar de inmediato el interruptor de conexión en la posición de desconexión. Esto impide que la máquina se pueda poner de nuevo en marcha de manera descontrolada.

9 Ajustes



ADVERTENCIA

Peligro de lesiones

- ▶ Antes de llevar a cabo cualquier trabajo en la herramienta eléctrica, retirar de esta la batería.

9.1 Sistema electrónico

Arranque suave

El arranque suave mediante control electrónico garantiza una puesta en marcha de la máquina sin sacudidas.

Protector contra sobrettemperatura

Si la temperatura del motor es excesiva, se limita el consumo de potencia para proteger el motor frente a un sobrecalentamiento. En caso de que la temperatura siga aumentando, la herramienta eléctrica se desconecta. Solo se puede volver a conectar una vez enfriado el motor.

Número de revoluciones constante

El número preseleccionado de revoluciones del motor se mantiene constante gracias a un sistema electrónico. De esta manera se alcanza una velocidad de lijado constante si la herramienta se utiliza conforme a las especificaciones (fuerza de aplicación adecuada).

Regular el número de revoluciones

Con la rueda de ajuste **[1-5]** se puede variar el número de revoluciones entre 6000 min⁻¹ y 10000 min⁻¹

Para los trabajos de lijado recomendamos situar la rueda de ajuste **[1-5]** en las posiciones siguientes:

Trabajos de lijado	Nivel de la rueda de ajuste
<ul style="list-style-type: none"> - Lijado con la máxima abrasión - Lijado de pinturas antiguas - Lijado de madera y enchapado antes del barnizado - Lijado intermedio de barniz en superficies 	5-6
<ul style="list-style-type: none"> - Lijado de aplicaciones finas de masilla tapaporos - Lijado de madera con vellón de lijar - Achaflanado en piezas de madera - Alisado de superficies de madera imprimadas 	4-5
<ul style="list-style-type: none"> - Lijado de cantos de madera maciza y enchapada - Lijado en el renvalso de ventanas y puertas - Lijado intermedio de barniz en cantos - Rectificado de ventanas de madera natural con vellón de lijar - Alisado de superficies de madera con vellón de lijar antes del barnizado - Eliminación o despegado de cal en pasta sobrante con vellón de lijar 	3-4
<ul style="list-style-type: none"> - Lijado intermedio de barniz en superficies barnizadas - Limpieza de renvalsos de ventanas de madera natural con vellón de lijar 	2-3
<ul style="list-style-type: none"> - Lijado de cantos barnizados - Lijado de plásticos termoplásticos 	1-2

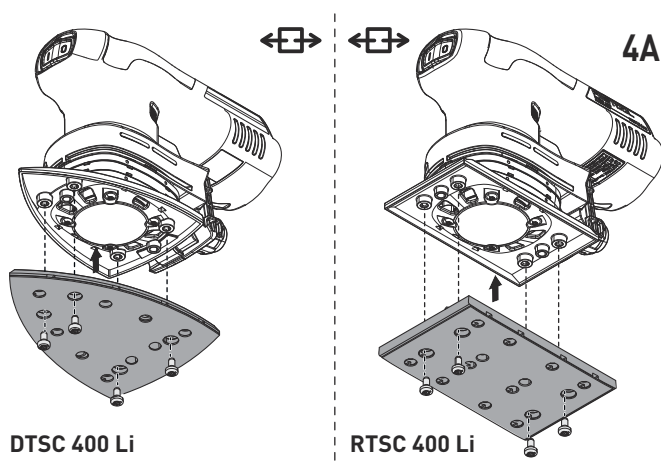
9.2 Cambiar la zapata [4A]



Solo se conseguirá un resultado óptimo si se utilizan los accesorios y material de consumo originales. Si no se instalan accesorios o material de consumo originales, se extinguirá el derecho a la garantía.

Cuando la capa StickFix de la zapata esté desgastada, puede sustituirse la zapata entera:

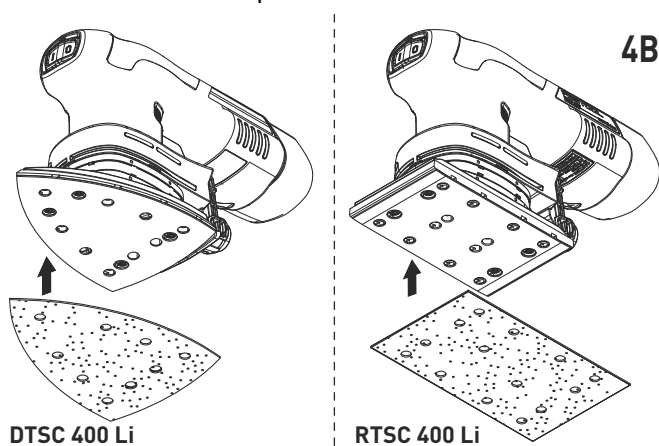
- ❶ Aflojar los cuatro tornillos.
- ❷ Extraer la zapata hacia abajo.
- ❸ Colocar la zapata nueva.
- ❹ Fijar la zapata apretando manualmente los cuatro tornillos (2.5 Nm).



9.3 Fijar los accesorios de lijado con StickFix [4B]

Los abrasivos StickFix y los vellones de lijar StickFix adecuados se pueden fijar de forma rápida y sencilla en la zapata StickFix.

- Presionar el accesorio de lijado autoadhesivo sobre la zapata.



9.4 Aspiración



ADVERTENCIA

Consecuencias perjudiciales para la salud a causa del polvo

- ▶ El polvo puede ser perjudicial para la salud. Por este motivo, no trabaje nunca sin aspiración.
- ▶ Durante la aspiración de polvo perjudicial para la salud, respete siempre las normativas nacionales.

Autoaspiración con el saco para polvo Longlife

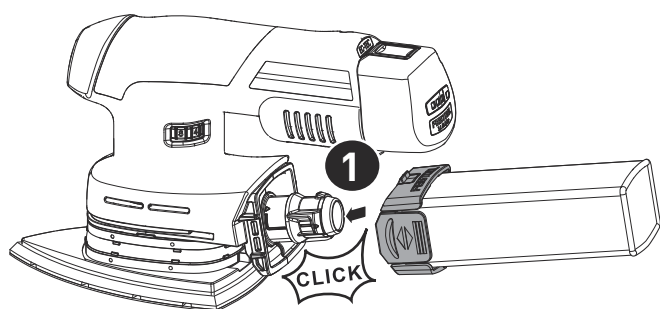
Las lijadoras vienen equipadas de serie con un sistema de autoaspiración. El polvo de lijado se aspira a través de las aberturas de aspiración de la zapata y se recogen en el saco para polvo.

Montaje del saco para polvo [5]

- ❶ Conectar el saco para polvo hasta que se enclave en la máquina.

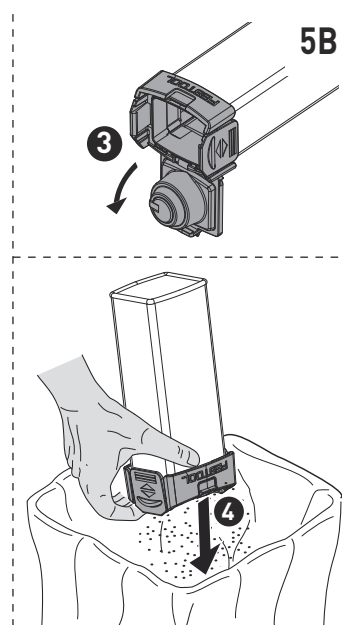
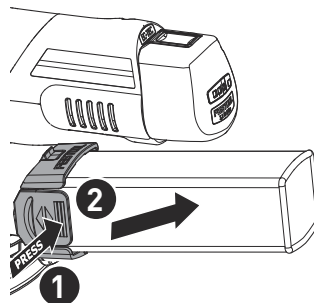


5A



Vaciar el saco para polvo cuando disminuya el rendimiento de aspiración.

- ❶ Comprimir los elementos de accionamiento del saco para polvo.
- ❷ Extraer el saco para polvo hacia atrás.
- ❸ Abrir la tapa del saco para polvo.
- ❹ Vaciar el saco para polvo y eliminar los residuos.



5B

Aspiración con el aspirador Festool

Para evitar tener que vaciar con frecuencia el saco para polvo en trabajos de lijado prolongados, puede conectarse un aspirador Festool con un diámetro de tubo flexible de aspiración de 27 mm en el racor de aspiración [1-4].

- ❶ El sistema automático de arranque conecta el sistema móvil de aspiración de manera automática cuando se conecta la lijadora orbital. El sistema automático de arranque solo funciona en combinación con el adaptador de red.
- ❶ Si se utiliza la herramienta eléctrica en el modo de batería con un aspirador, su tiempo de funcionamiento se reduce. Al disminuir el rendimiento de aspiración se reduce también ese efecto.
- ❶ Un mayor rendimiento de aspiración puede afectar negativamente al comportamiento de la herramienta durante el guiado. Al disminuir el rendimiento de aspiración se reduce también ese efecto.

Recomendación: utilizar tubos flexibles de aspiración antiestáticos, pues reducen la carga electrostática.

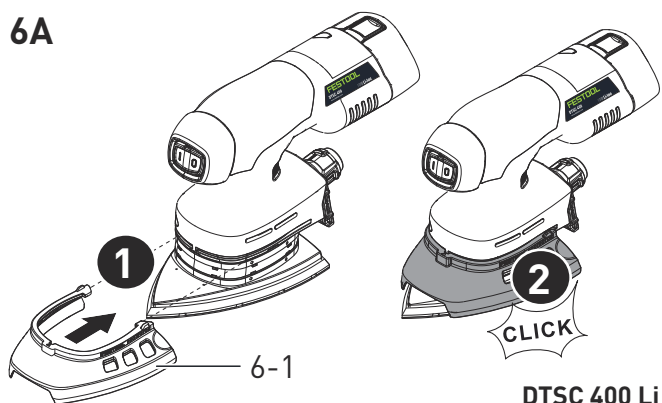
9.5 Protección de cantos (Protector) [6]

La protección de cantos [6-1] evita que el perímetro de la zapata toque la superficie (p. ej. al lijar una pared o una ventana) y de que se produzca un contragolpe de la máquina o se produzcan daños.

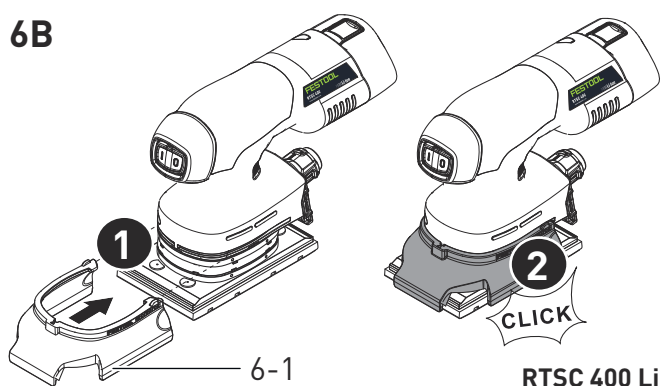
- ❶ Introducir la protección de cantos en la ranura de la máquina.

- ② Enclavar los dos extremos de la protección de cantos a derecha e izquierda.
- ③ Soltar ambos extremos de la protección de cantos.
- ④ Retirar la protección de cantos hacia delante.

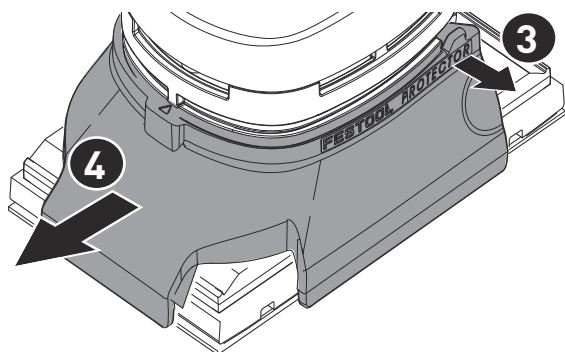
6A



6B



6C



10 Trabajo con la máquina



ADVERTENCIA

Peligro de lesiones

- Fije la pieza de trabajo siempre de forma que no se pueda mover cuando se trabaje con ella.

Tenga en cuenta las siguientes advertencias:

- ¡No sobrecargue la máquina aplicando demasiada presión! Los mejores resultados de lijado se consiguen aplicando una presión moderada. La calidad y el rendimiento de lijado dependen fundamentalmente de la elección del abrasivo adecuado.

- El trabajo en esquinas y cantos conlleva un esfuerzo localizado en la punta y una gran generación de calor. Por ello, trabaje ejerciendo poca presión.
- Para guiar la máquina con seguridad, sujétela con una mano en la empuñadura [1-8].

10.1 Señales de advertencia

La máquina se desconecta y emite un sonido:

- Desconectar la máquina.
- La batería está descargada.*
- Cambiar la batería.

La máquina se desconecta y no emite sonidos:

La máquina se ha sobrecalentado o presenta sobrecarga.

- Desconectar la máquina durante 30 segundos.
- Cargue menos la máquina.

Si después no se alcanza el número de revoluciones de la máquina, dejarla enfriar.

11 Mantenimiento y cuidado



ADVERTENCIA

Peligro de lesiones, electrocución

- Extraiga siempre la batería de la máquina antes de realizar cualquier trabajo de mantenimiento y conservación.



ADVERTENCIA

Cualquier trabajo de mantenimiento o reparación que requiera abrir el motor o la carcasa del engranaje deberá ser realizado únicamente por un Centro de Atención al Cliente (nombre proporcionado por su concesionario).

- Los trabajos de mantenimiento o reparación realizados por una persona no autorizada podrían provocar la conexión incorrecta de los conductores de alimentación u otros componentes, lo que a su vez podría provocar accidentes con consecuencias graves.



PRECAUCIÓN

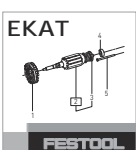
Algunos productos de limpieza y disolventes resultan perjudiciales para las piezas de plástico.

- ▶ Algunos de ellos incluyen, entre otros, gasolina, acetona, metiletilacetona (MEK) y oxiclورو de carbono. Los productos de limpieza normalmente contienen cloro y amoníaco y los productos de limpieza del hogar contienen amoníaco.



El servicio de atención al cliente y de reparaciones solo está disponible a través del fabricante o de los talleres de reparación. Dirección más cercana en: www.festoolusa.com/service

www.festoolusa.com/service



Utilice únicamente piezas de recambio Festool originales. Referencia en: www.festoolusa.com/service

- A fin de garantizar una correcta circulación del aire, las aberturas para el aire de refrigeración dispuestas en la carcasa del motor deben mantenerse libres y limpias.
- En caso de disminución del rendimiento o de aumento de las vibraciones, soplar y limpiar las aberturas para el aire de refrigeración.
- Mantenga siempre limpios los puntos de conexión de la herramienta eléctrica, el cargador y la batería.

Comprobar que todas las advertencias de la herramienta eléctrica sean legibles y estén completas. Reemplazar las advertencias que falten o que no sean legibles.

12 Accesorios

Utilice únicamente los accesorios Festool originales y el material de consumo Festool diseñados para esta máquina, puesto que los componentes de este sistema están óptimamente adaptados entre sí. La utilización de accesorios y material de consumo de otros fabricantes puede afectar a la calidad de los resultados de trabajo y conllevar una limitación de los derechos de la garantía. El desgaste de la máquina o de su carga personal puede variar en función de la aplicación. Utilice únicamente accesorios originales y material de consumo de Festool para su propia protección y la de la máquina, así como de los derechos de la garantía.

Los números de pedido para los respectivos accesorios y herramientas se encuentran en su catálogo Festool o en la dirección de Internet "www.festoolusa.com".

12.1 SYSTAINER

Systainer

Muchos de los productos Festool se entregan en un embalaje exclusivo denominado "Systainer" que sirve de protección a la herramienta y sus complementos, además de facilitar su almacenamiento. Los Systainer pueden apilarse y encajan unos con otros. Además se adaptan sin problema a cualquier aparato de aspiración CT de Festool.

Para abrir el Systainer



Gire el T-loc **[SYS-b-1]** a esta posición.

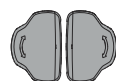
Para cerrar el Systainer



Gire el T-loc **[SYS-b-1]** a esta posición.

Para encajar dos Systainer

Ponga el Systainer sobre un otro **[SYS-a]**.

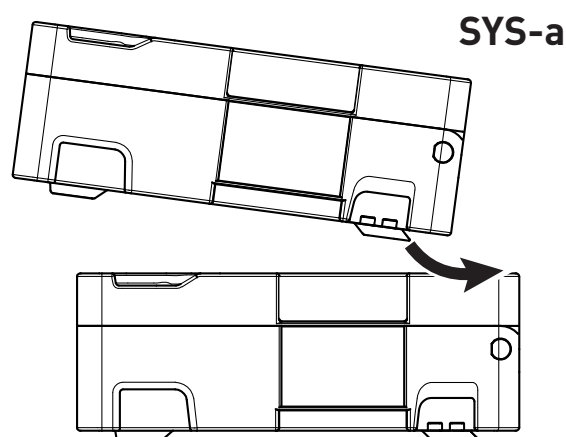


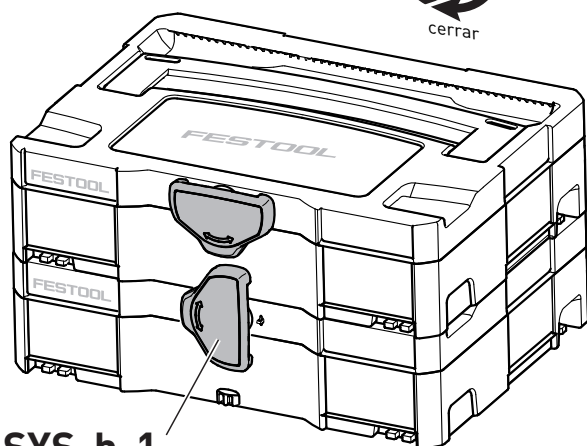
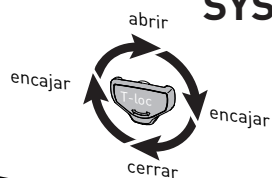
Gire el T-loc **[SYS-b-1]** a una de estas posiciones (Fig. **[SYS-b]**).

Los Systainers están encajados y cerrados.

- ⓘ El Systainer Classic Line se puede unir por la parte inferior con un Systainer T-Loc o con un Systainer³ por medio de sus cuatro enclavamientos

El Systainer T-Loc se puede unir por abajo o por arriba con un Systainer³.



SYS-b**SYS-b-1****13 Medio ambiente**

No deseche la herramienta junto con los residuos domésticos. Recicle las herramientas, accesorios y embalajes de forma respetuosa con el medio ambiente. Respete la normativa vigente del país.

Reciclaje de baterías**ADVERTENCIA****Riesgo de fuego o daños**

- ▶ No intente desarmar la batería ni quitar ninguno de los componentes que sobresalen de las terminales de la batería.
- ▶ Antes de tirarla, proteja las terminales que están al descubierto con cinta adhesiva aislante gruesa para prevenir cortocircuitos.